



INSTALLATION AND  
OPERATING INSTRUCTIONS  
Read these instructions thoroughly before starting

POWER VENTED GAS FIRED WATER HEATER



Reliance Home Comfort is the installation and service agency.  
Call 1-888-718-6466 for Customer Service.

**⚠ WARNING:**

Improper installation, adjustment, alteration, service, or maintenance can cause injury or property damage. Refer to this manual. For assistance or additional information, consult a qualified installer, service agency, your qualified Reliance installer or service agent .

**⚠ FOR YOUR SAFETY**

- Do not store or use gasoline or other flammable vapours and liquids in the vicinity of this or any other appliance.
- Installation and service must be performed by a qualified installer, service agency, your qualified Reliance installer or service agent.

**⚠ WARNING:**

If the information in these instructions is not followed exactly, a fire or explosion may result causing property damage, personal injury or death.

WHAT TO DO IF YOU SMELL GAS

- Do not try to light any appliance.
- Do not touch any electrical switch; do not use any phone in your building.
- Immediately call your gas supplier from a neighbor's phone. Follow the gas supplier's instructions.
- If you cannot reach your gas supplier, call the fire department.



Installation and service must be performed by your qualified Reliance installer or service agent.

## TABLE OF CONTENTS

<p>Introduction . . . . . 3</p> <p>    User Responsibilities . . . . . 3</p> <p>    Qualified Reliance Installer Or Service Agency . . . . . 3</p> <p>Safety . . . . . 4</p> <p>    Safety Warning (Flammable Vapours) . . . . . 4</p> <p>    Safety Warning (Scalding) . . . . . 4</p> <p>    Safety Warning (Carbon Monoxide) . . . . . 4</p> <p>    Relief Valve Requirements (T&amp;P) . . . . . 5</p> <p>    Flooding/Freezing/Fire Damage . . . . . 5</p> <p>Installation . . . . . 5</p> <p>    Unpacking the Water Heater . . . . . 5</p> <p>    Location Requirements . . . . . 5</p> <p>        In Earthquake Zones</p> <p>        Closet Installations</p> <p>        Floor Surfaces</p> <p>    Clearances and Accessibility . . . . . 6</p> <p>    Gas Supply . . . . . 6</p> <p>        Gas Supply Pressure</p> <p>        Gas Leak Testing</p> <p>        Gas Operating Pressures</p> <p>    Air Requirements . . . . . 7</p> <p>    Appliances In Enclosures . . . . . 7</p> <p>    Typical Installation . . . . . 8</p> <p>    Replacement Parts And Delimiting Products . . . . . 9</p> <p>    Combo Heating Inlet And Outlet Side Taps . . . . . 9</p> <p>    Water Piping - Mixing Valve Usage . . . . . 10</p> <p>        Mixing Valves</p> <p>    Exhaust Venting . . . . . 11</p> <p>    High Ambient Temperature Installations . . . . . 11</p> <p>        Important Notes and Warnings</p> <p>        Venting Terminations and Sizing</p> <p>        Rodent Screens</p> <p>    Termination Clearances Sidewall Power Vent . . . . . 13</p> <p>        Calculating Equivalent Feet</p> <p>        Venting Instructions</p> <p>    Blower Exhaust Direction . . . . . 16</p> <p>    Blower Assembly Installation . . . . . 16</p> <p>        Vent Pipe Connection to Blower</p> <p>    Condensate . . . . . 18</p> <p>    Water Supply . . . . . 18</p> <p>        Piping Installation</p> <p>        Filling the Water Heater</p> <p>        Closed System/Thermal Expansion</p> <p>    Temperature and Pressure (T&amp;P) Relief Valve . . . . . 19</p> <p>        The Temperature and Pressure Relief Valve:</p> <p>        The Discharge Line/Relief Drain Tube:</p> <p>        Temperature-Pressure Relief Valve and Pipe</p> <p>        Insulation</p> <p>    Electrical Supply . . . . . 20</p> <p>        Electrical Connections (Honeywell)</p> <p>        Electrical Connections (Robertshaw)</p> <p>        Electrical Connections (White-Rodgers)</p> <p>Safety Lockouts . . . . . 24</p> <p>    High Limit Controls . . . . . 24</p> <p>        Thermostat/Water Temperature</p> <p>        Blower Exhaust Gas Limit Switch</p> <p>    Blower Air Pressure Switch . . . . . 24</p>	<p>    Flammable Vapour Sensor . . . . . 24</p> <p>    Resettable Lockout . . . . . 24</p> <p>    Water Heater Operation . . . . . 24</p> <p>    Installation Review . . . . . 25</p> <p>Operating Instructions . . . . . 26</p> <p>    Temperature Regulation . . . . . 26</p> <p>    Mixing Valves . . . . . 26</p> <p>    Lighting Instructions (Honeywell) . . . . . 27</p> <p>    Lighting Instructions (Robertshaw) . . . . . 28</p> <p>    Lighting Instructions (White-Rodgers) . . . . . 29</p> <p>    Operating The Temperature Control System . . . . . 30</p> <p>        Gas Control/Thermostat (Robertshaw)</p> <p>        Gas Control/Thermostat (White-Rodgers)</p> <p>        Gas Control/Thermostat (Honeywell)</p> <p>Operation . . . . . 32</p> <p>    Burner Flames . . . . . 32</p> <p>    Operational Conditions . . . . . 32</p> <p>        Condensation</p> <p>        Water Heater Sounds</p> <p>        Smoke/Odour</p> <p>        Anode Rod/Water Odour</p> <p>        “Air” In Hot-water Faucets</p> <p>Maintenance . . . . . 33</p> <p>    Draining, Refilling And Flushing . . . . . 33</p> <p>        To Drain The Water Heater Storage Tank</p> <p>        To Refill The Water Heater Storage Tank</p> <p>        To Flush The Water Heater Storage Tank</p> <p>    Routine Preventative Maintenance (Homeowner/User) . . . . . 34</p> <p>    Gas Control . . . . . 34</p> <p>    Temperature and Pressure Relief Valve . . . . . 34</p> <p>    Burner Operation and Inspection . . . . . 34</p> <p>        Burner Cleaning</p> <p>    Housekeeping . . . . . 35</p> <p>    Anode Rod Inspection . . . . . 35</p> <p>        To Remove the Anode Rod</p> <p>        To Install the Anode Rod</p> <p>    Venting System and Blower . . . . . 36</p> <p>Combo Heating . . . . . 37</p> <p>    System Requirements . . . . . 37</p> <p>    Installation . . . . . 37</p> <p>Troubleshooting Guide . . . . . 39</p> <p>    Ignition State and Timing . . . . . 42</p> <p>        Honeywell</p> <p>        Robertshaw</p> <p>        White-Rodgers</p> <p>        System Error Codes (Honeywell &amp; Robertshaw)</p> <p>        Troubleshooting Chart - User Control (Honeywell)</p> <p>        Troubleshooting Chart - User Control (Robertshaw)</p> <p>        System Error Codes (White-Rodgers)</p> <p>        Intelli-Vent™ System Error Codes</p> <p>Reference Parts . . . . . 46</p> <p>    Reference Parts Listing . . . . . 46</p>
---	---

**RETAIN THESE INSTRUCTIONS IN A SAFE LOCATION FOR FUTURE REFERENCE**

## **Your safety and the safety of others is very important.**

**We have provided many important safety messages in this manual and on your appliance. Always read and obey all safety messages.**



**This is the safety alert symbol.**

**This symbol alerts you to potential hazards that can kill or hurt you and others.**

**All safety messages will follow the safety alert symbol and either the word “DANGER” or “WARNING”.**



**DANGER**

**You can be killed or seriously injured if you don't immediately follow instructions.**



**WARNING**

**You can be killed or seriously injured if you don't follow instructions.**

**All safety messages will tell you what the potential hazard is, tell you how to reduce the chance of injury, and tell you what can happen if the instructions are not followed.**

## **INTRODUCTION**

**Thank you for renting a Flammable Vapour Ignition Resistant Power Vented Water Heater.** This water heater is designed to reduce the risk of flammable vapour related fires by shutting the burner down before flammable vapours get into the water heater combustion chamber. This is achieved by the means of the flammable vapour sensor. Properly installed and maintained, it will provide years of trouble free service. This gas-fired water heater has been developed to produce potable hot water for normal residential demands and may also be used in combination with space heating applications but not space heating only.

### **User Responsibilities**

This manual has been prepared to acquaint you with the installation, operation and maintenance of your gas fired water heater and provide important safety information in these areas. It is your responsibility to ensure that your water heater is properly installed and cared for.

**FAILURE TO FOLLOW THE INSTRUCTIONS IN THIS MANUAL MAY RESULT IN SERIOUS BODILY INJURY AND/OR PROPERTY DAMAGE. THOROUGHLY READ AND UNDERSTAND ALL INSTRUCTIONS BEFORE YOU ATTEMPT TO INSTALL, OPERATE OR MAINTAIN THIS HEATER.**

Installation and service requires trade knowledge in the areas of plumbing, electricity, venting, air supply and gas supply. Only a qualified Reliance service technician shall install or service this water heater.

Service to the Power Vent System should only be performed by a qualified Reliance service technician.

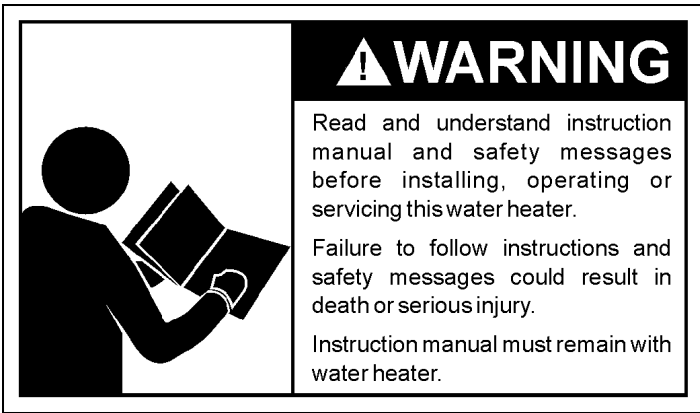
The manufacturer of this water heater will not assume any liability for any property damage, personal injury or death resulting from improper sizing, installation or failure to comply with these instructions.

### **Qualified Reliance Installer Or Service Agency**

Installation and service of this water heater requires ability equivalent to that of a Qualified Agency in the field involved. Installation skills such as plumbing, air supply, venting, gas supply and electrical supply are required in addition to electrical testing skills when performing service.

**Do not discard this manual. You or future users of this water heater will need it for reference.**

## SAFETY



This water heater is design-certified by CSA International as a Category III, water heater that takes its combustion and dilution air either from the installation area or from air ducted to the unit from the outside.

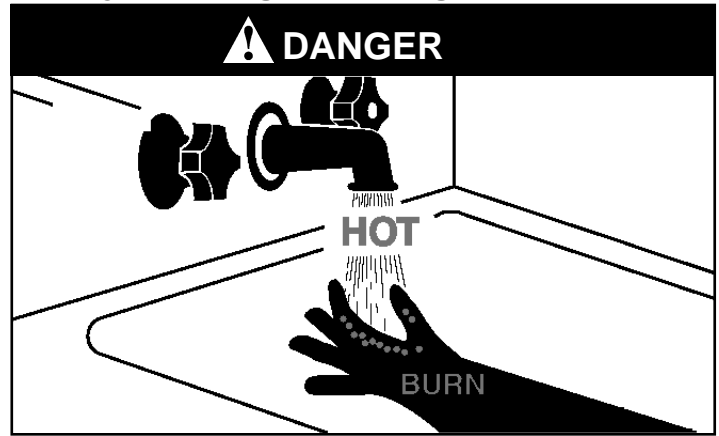
In addition to the installation instructions found in this manual, the water heater must be installed in accordance with provincial codes and the latest edition of "**Natural Gas and Propane Installation Code**" B149.1.

### Safety Warning (Flammable Vapours)



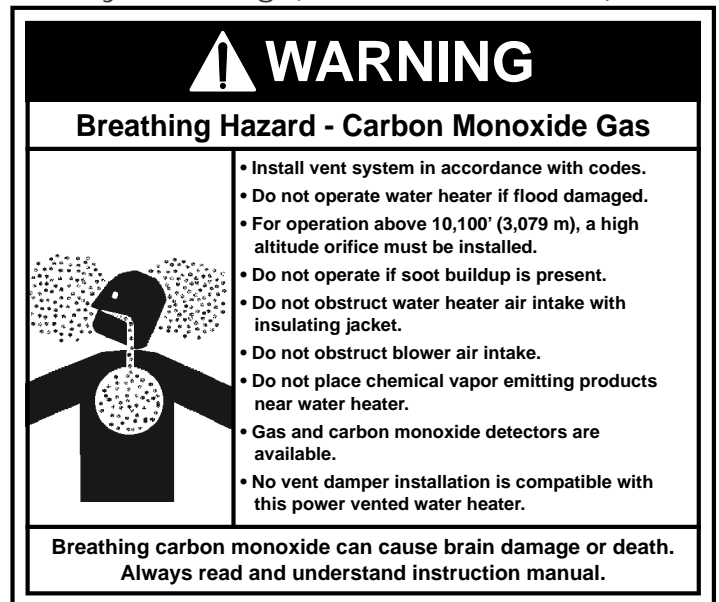
There is a risk of property damage, personal injury or death from the by-products of combustion (e.g., flue gases), in using fuel-burning appliances such as water heaters. Areas that may not be suitable for water heater installation include those where flammable liquids, gasoline, solvents, adhesives etc. are stored. Also not suitable are areas where engine-driven equipment is stored, operated or repaired. Flammable vapour products should not be stored or used near the water heater or air intake. Due to the nature of air movement, flammable vapours can be carried some distance from the point of storage. Although the safety system is designed to reduce the risk of flammable vapour related fires, the gas-fired water heater igniter or burner flame can ignite these vapours causing a flashback, fire or explosion, which may result in severe property damage, serious personal injury or death. If flammable liquids or vapours have spilled or leaked in the area of the water heater, leave the area immediately and call the fire department from a neighbor's home. Do not attempt to clean the spill until all ignition sources have been extinguished.

### Safety Warning (Scalding)



Hot water produced by this appliance can cause severe burns due to scalding. The hazard is increased for young children, the aged or the disabled when water temperatures exceed 52°C (125°F). Use mixing valves, in the hot-water system to reduce the risk of scalding at point-of-use such as lavatories, sinks and bathing facilities (see Figure 11 & Figure 12). Such precautions must be followed when this heater is operated in combination with dishwashing or space heating applications.

### Safety Warning (Carbon Monoxide)



As with all fuel burning equipment, this heater requires an adequate supply of air for combustion and blower dilution. An insufficient air supply can result in poor combustion or the re-circulation of the flue gases. Such a condition may cause soot build-up and present a fire hazard. Flow reversal of flue gases may cause an increase of carbon monoxide inside of the dwelling that could result in serious bodily harm or death from asphyxiation.

**MAKE SURE THE FLOW OF COMBUSTION AND DILUTION AIR IS NOT RESTRICTED.**

## Relief Valve Requirements (T&P)

All water heaters must be fitted with a proper temperature and pressure relief valve. These valves must be certified as meeting the requirements of the "**Standard For Relief Valves For Hot Water Supply Systems, ANSI Z21.22/CSA 4.4**".

## Flooding/Freezing/Fire Damage

If this water heater has been exposed to flooding, freezing, fire or any unusual condition, do not put it into operation until it has been inspected and approved by a qualified Reliance service technician. **THESE CONDITIONS CAN RESULT IN UNSEEN INTERNAL DAMAGE.**

### CAUTION

Hydrogen gas can be produced in a hot water system served by this heater that has not been used for a long period of time (generally two (2) weeks or more). **Hydrogen gas is extremely flammable and can ignite when exposed to a spark or flame.** To reduce the risk of injury under these conditions, it is recommended that the hot water faucet be opened for several minutes at the kitchen sink before using any electrical appliance connected to the hot water system. Use caution in opening faucets. If hydrogen is present, there will probably be an unusual sound such as air escaping through the pipe as the water begins to flow. There should be no smoking or open flame near the faucet at the time it is open.

## INSTALLATION

### Unpacking the Water Heater

**Important:** Do not remove any permanent instructions, labels, or the data label from outside of the water heater or on the inside of panels.

- Remove exterior packaging and place installation components aside.
- Inspect all parts for damage prior to installation and start-up.
- Completely read all instructions before attempting to assemble and install this product.
- Read the "Safety" section of this manual first and then entire manual carefully. If you don't follow safety rules, the water heater will not operate properly. It could cause **DEATH, SERIOUS BODILY INJURY AND/OR PROPERTY DAMAGE.** This manual contains instructions for installation, operation, and maintenance of the gas-fired water heater. It also contains warnings throughout the manual that you must read and be aware of. All warnings and instructions are essential to proper operation of the water heater and your safety. Since we cannot put everything on the first few pages, **READ ENTIRE MANUAL BEFORE ATTEMPTING TO INSTALL OR OPERATE THE WATER HEATER.**
- After installation, dispose of packaging material in the proper manner.

## Location Requirements

### IMPORTANT:

This water heater must be installed strictly in accordance with the instructions enclosed, and all applicable electrical, fuel and building codes. It is possible that connections to the water heater, or the water heater itself, may develop leaks. It is therefore strongly recommended that the water heater be installed so that any leakage of the tank or related water piping is directed to an adequate drain in such a manner that it cannot damage the building, furniture, floor covering, adjacent areas, lower floors of the structure or other property subject to water damage. This is particularly important if the water heater is installed in a multi-story building, on finished flooring or carpeted surfaces. **THE MANUFACTURER WILL NOT ASSUME ANY LIABILITY** for damage caused by water leaking from the water heater, pressure relief valve, or related fittings. Select a location as centralized within the piping system as possible. In any location selected, it is recommended that a suitable drain pan be installed under the water heater. This pan must limit the water level to a **MAXIMUM** depth of 45mm (1 3/4 in.) and have a diameter that is a minimum of 50mm (2 in.) greater than the diameter of the water heater. Suitable piping shall connect the drain pan to a properly operating floor drain. When used with a fuel-fired heater, this drain pan must not restrict combustion air flow.

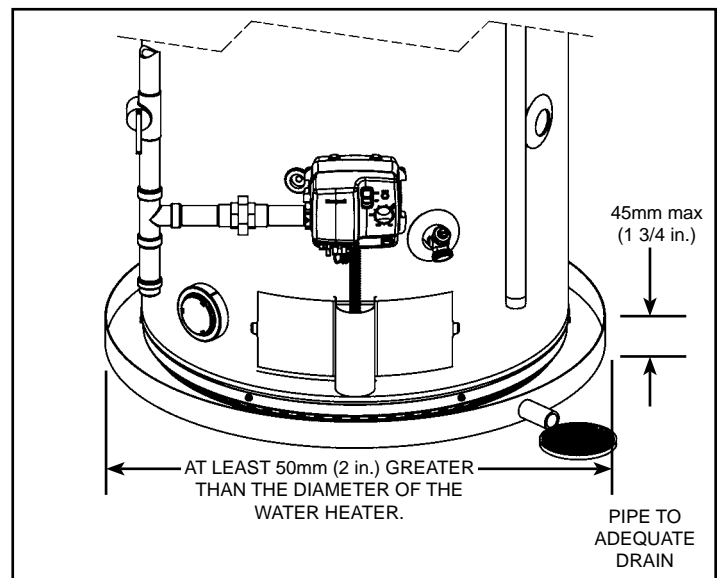


Figure 1

The water heater must be installed indoors in an area not subject to freezing temperatures and in a vertical position on a level surface. Water heaters located in unconditioned spaces (e.g., attics, basements etc.) may require insulation of the water piping, drain piping and venting to protect against condensation. The power vented series of water heaters are designed to vent the products of combustion horizontally through the wall or vertically through the roof. The blower expels the products of combustion by means of certified plastic piping to the outdoors without the need for a conventional chimney.

Select a location as centralized within the piping system as possible. The heater should be located in an area where leakage of the tank or connections will not result in damage to the area adjacent to the water heater or to lower floors of the structure (see "IMPORTANT" notice on the previous page). Before installing this water heater, consideration and planning must be given to the following details:

- Proximity to walls and other objects (see "Clearance and Accessibility").
- Access to gas supply (see "Gas Supply").
- Routing and support of the vent piping and termination (see "Venting").
- Position of water supply and placement of water piping and floor drain (see "Water Supply").

### In Earthquake Zones

The water heater must be braced, anchored, or strapped to avoid moving during an earthquake. Contact building officials for code requirements in your area.

### Closet Installations

The water heater may be installed in a closet with a door that is connected to a bedroom or bathroom providing the units are installed and vented per the manufacturer's instructions. Combustion air must be provided to the enclosure from other than the bedroom or bathroom.

### Floor Surfaces

If installing over carpeting, the carpeting must be protected by a metal or wood panel beneath the water heater. The protective panel must extend beyond the full width and depth of the water heater by at least 76mm (3 in.) in each direction or if in an alcove or closet installation, the entire floor must be covered by the panel.

### Clearances and Accessibility

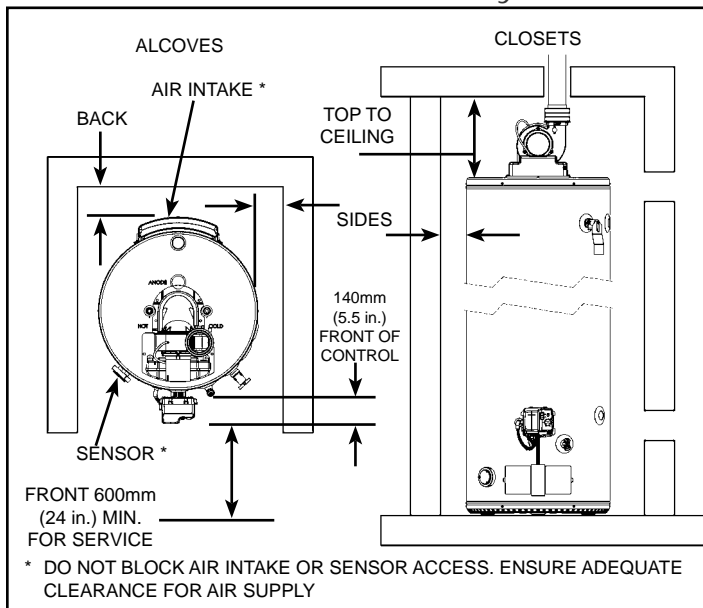


Figure 2

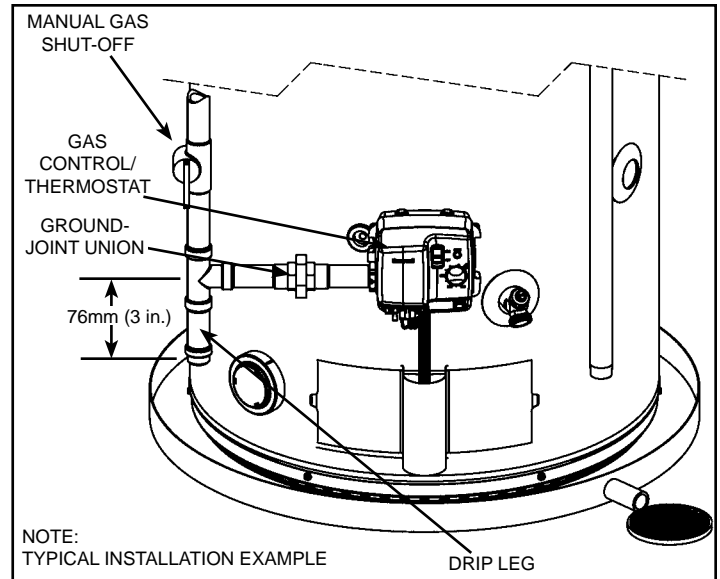


Figure 3

- The minimum clearances between the heater and combustible materials are:
 

Top	200mm (8 in.)
Front	140mm (5.5 in.)
Rear and Sides	0mm (0 in.)

**Note:** These requirements are also listed on the data plate located on the front of the water heater.

- The water heater is certified for installation on a combustible floor.

Figure 2 may be used as a reference guide to locate the specific clearance locations. A minimum of 600mm (24 in.) of front clearance and 100mm (4 in.) on each side should be provided for inspection and service.

### Gas Supply

**⚠ DANGER**

**Explosion Hazard**

- Install a gas supply shut-off valve.
- Do not connect a natural gas water heater to a L.P. gas supply.
- Do not connect a L.P. gas water heater to a natural gas supply
- Failure to follow these instructions can result in death, an explosion or carbon monoxide poisoning.

**Read the data plate to be sure the water heater is made for the type of gas you will be using in your home.** This information will be found on the data plate located above the gas control valve. If the information does not agree with the type of gas available, do not install or attempt to start.

**Note:** An odourant is added by the gas supplier to the gas used by this water heater. This odourant may fade over an extended period of time. Do not depend upon this odourant as an indication of leaking gas.

This gas piping must be installed in accordance with all provincial requirements and the latest edition of "**Natural Gas and Propane Installation Code**" B149.1.

Use properly sized gas piping and to ensure full gas input and a properly sized gas supply regulator (if used) to ensure adequate gas supply pressure. The supply piping and regulator must be large enough to satisfy the requirements of all appliances connected to the gas service and when all appliances are operating simultaneously. Undersize piping and insufficient pressure can restrict the gas flow causing the water heater to perform poorly. Improperly sized piping may pose a safety hazard.

**Note:** When installing gas piping, apply sealing compounds approved for use with natural and propane gas.

1. Install a readily accessible manual shut-off valve in the gas supply line as required "**Natural Gas and Propane Installation Code**" B149.1. The owner/operator must be shown the location of this valve and be given instructions on how to use it to shut off the gas to the heater.
2. Install a drip leg (if not already incorporated as part of the water heater) as shown. The drip leg must be no less than 76mm (3 in.) long for the accumulation of dirt, foreign material, and water droplets.
3. Install a ground joint union, or other approved gas disconnect, between the gas control/thermostat and the manual shut-off valve. This is to allow easy removal of the gas control/thermostat.
4. Turn the gas supply on and check for leaks. Use a chloride-free soap and water solution (bubbles forming indicate a leak) or other approved method.

### Gas Supply Pressure

**Important:** The gas supply pressure must not exceed the maximum supply pressure as stated on the water heater's data plate.

### Gas Leak Testing

**Important:** This water heater and its gas connection must be leak tested before placing the appliance in operation.

- If the code requires the gas lines to be tested at a pressure exceeding 14 in. w.c. (3.5 kPa), the water heater and its manual shut-off valve must be disconnected from the gas supply piping system and the line capped.
- If the gas lines are to be tested at a pressure less than 14 in. w.c. (3.5 kPa), the water heater must be isolated from the gas supply piping system by closing its manual shut-off valve.

### Gas Operating Pressures

The gas supply pressure and burner manifold pressure is listed on the data plate located on the front of the heater above the gas control/thermostat. Ensure the gas supply pressure to the water heater and the burner manifold pressure are properly adjusted while all appliances are in operation.

Gas Supply Pressures in. w.c. (kPa)			
Nominal	Maximum	Minimum	
7.0 (1.75)	13.0 (3.24)	5.0 (1.25)	
(Burner) Manifold Pressures in. w.c. (kPa)			
Rated	Minimum	Maximum	
Honeywell	4 (0.99)	3.6 (0.89)	4.4 (1.09)
Robertshaw	3.3 (0.82)	3.0 (0.74)	3.6 (0.89)
White-Rodgers	3.5 (0.87)	3.2 (0.79)	3.8 (0.94)

Table 1

**⚠ WARNING**

**Exposure to a higher gas supply pressure may cause damage to the control, resulting in explosion or fire. Consult your local gas supplier and gas authorities. DO NOT PUT INTO SERVICE IF OVER-PRESSURIZATION HAS OCCURRED.**

U.L. and CSA recognized fuel gas and Carbon Monoxide (CO) detectors are recommended in all applications and should be installed using the manufacturer's instructions and local codes, rules or regulations.

### Air Requirements

This gas-fired water heater cannot operate properly without the correct amount of air for combustion and blower dilution. Do not install in a confined area such as a closet, unless you provide adequate air supply. Never obstruct the flow of any supply of air. If you have any doubts or questions at all, call your Reliance service technician. Failure to provide the proper amounts of air can result in a fire or explosion and cause death, serious bodily injury, or property damage. The combustion and dilution air inlets are shown in Figure 5.

**Important:** Air must not come from a corrosive atmosphere. Any failure due to corrosive elements in the atmosphere is excluded from warranty coverage.

Installations in or for certain places including, but not limited to, those listed below may require outdoor air for combustion to reduce the risk of chemical exposure. In these cases it is probably necessary to install a Power Direct Vent (PDV) water heater:

- Beauty shops, Photo processing labs
- Buildings with indoor pools
- Water heaters installed in some laundry, hobby or craft rooms
- Water heaters installed near chemical storage areas

In some cases, isolation of the water heater from corrosive environments may be required.

### Appliances In Enclosures

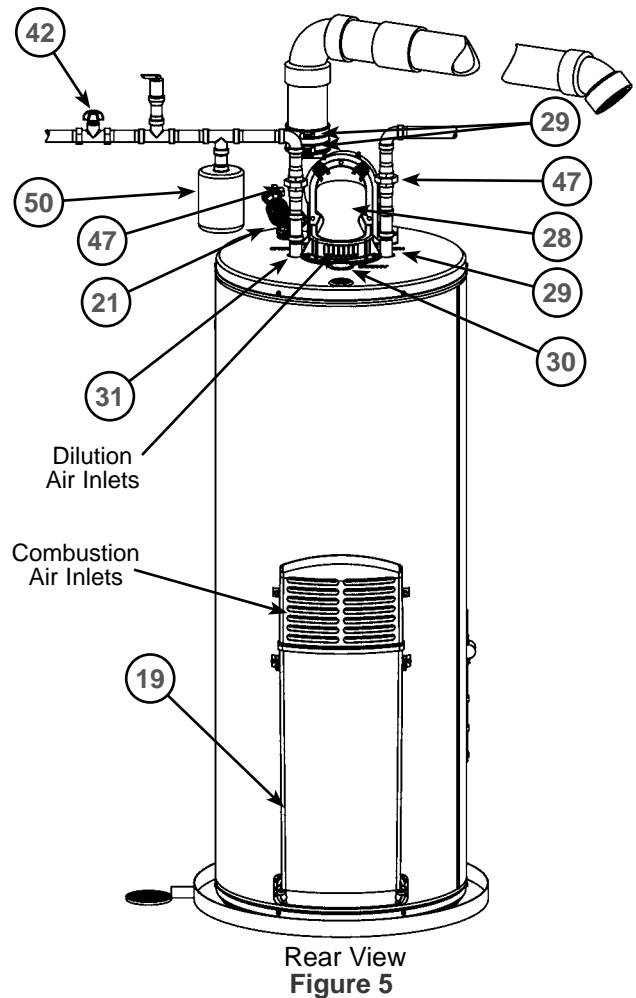
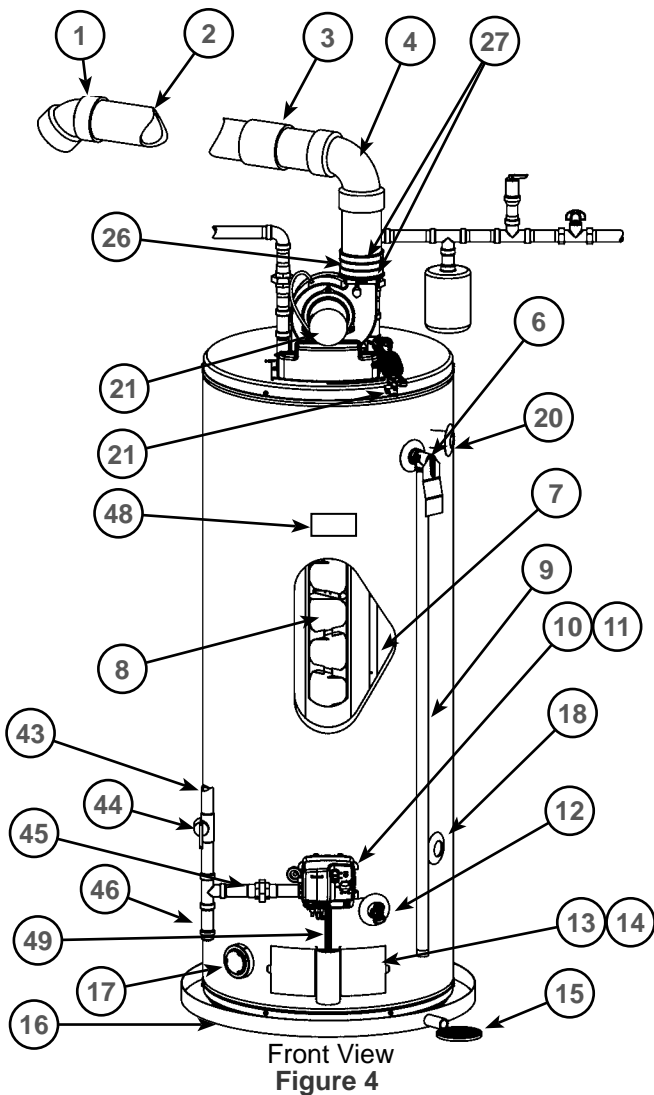
If the water heater is installed in an enclosure ensure an air supply is provided as required by the current edition of "**Natural Gas and Propane Installation Codes**" B149.1.

# Typical Installation

- 1 Vent Termination Elbow with Rodent Screen
- 2 \*Vent Pipe
- 3 \*Vent Pipe Coupling (if required)
- 4 \*Vent Pipe Elbow (long radius)
- 5 Limit Switch (see Figure 9)
- 6 T&P Valve
- 7 Diptube
- 8 Baffle Assembly
- 9 \*Discharge Pipe
- 10 Gas Control/Thermostat
- 11 Gas Valve Electronic Control Module And Cover
- 12 Drain Valve
- 13 Outer Gas Door
- 14 Manifold Door Assembly (behind outer door) (see Figure 6 & Figure 7)
- 15 \*Floor Drain
- 16 \*Metal Drain Pan
- 17 Flammable Vapour Sensor (under cover) (see Figure 8)
- 18 \*\*Combo Heating System Return Inlet (Optional)

- 19 Air Inlet Snorkel
- 20 \*\*Combo Heating System Supply Outlet (Optional)
- 21 Blower with Power Cord (see Figure 9)
- 22 Air Switch (inside box) (see Figure 9)
- 23 Junction Box (see Figure 9)
- 24 Junction Box Cover (see Figure 9)
- 25 Air Tubing (see Figure 9)
- 26 Rubber Coupling
- 27 Gear Clamp
- 28 Flue Collector
- 29 Hot-Water Outlet Nipple
- 30 Anode (under cap)
- 31 Cold-Water Inlet Nipple
- 32 Flexible Manifold Tube (see Figure 6 & Figure 7)
- 33 Viewport (see Figure 6 & Figure 7)
- 34 Flame Sensor Rod (see Figure 6 & Figure 7)
- 35 Gas Orifice (see Figure 6 & Figure 7)
- 36 Sheet Metal Burner (see Figure 6 & Figure 7)
- 37 Gas Manifold (see Figure 6 & Figure 7)

- 38 Hot-Surface Igniter (see Figure 6 & Figure 7)
- 39 Manifold Door Gasket (see Figure 6 & Figure 7)
- 40 Manifold Door (see Figure 6 & Figure 7)
- 41 Two Piece Grommet With Clip (see Figure 6 & Figure 7)
- 42 \*Inlet Water Shut-off Valve
- 43 \*Gas Supply\*
- 44 \*Main Manual Gas Shut-off Valve
- 45 \*Ground Joint Union (gas connection)
- 46 \*Sediment Trap/Dirt Leg
- 47 \*Union (water connection)
- 48 Rating Plate
- 49 \*\*\*Control Harness
- 50 \*Thermal Expansion Tank (required for all closed systems)





Natural gas and Propane main burner with igniter assembly for 40k to 50k Btu/hr models

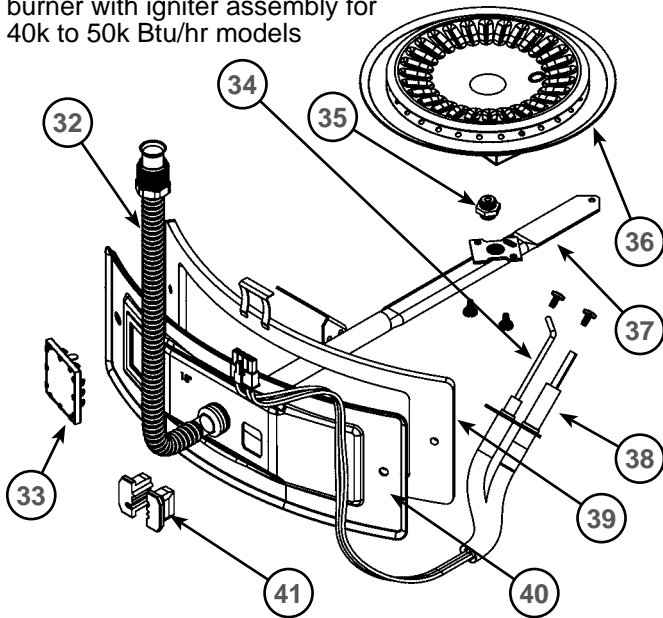


Figure 6

Natural gas and Propane main burner with igniter assembly for 60k to 75k Btu/hr models

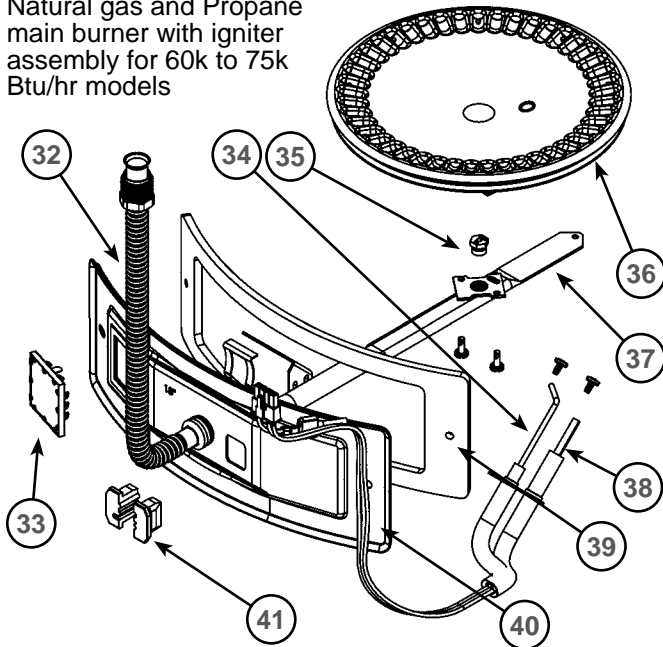


Figure 7

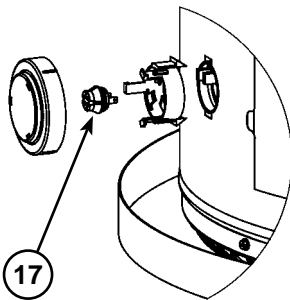


Figure 8

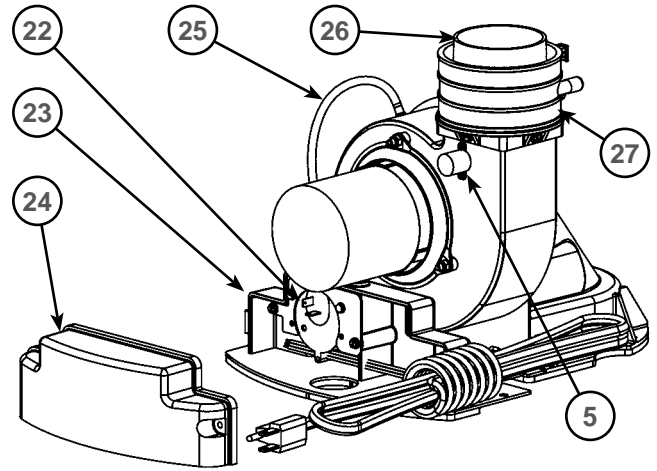


Figure 9

Vacuum relief valve install per local codes (not supplied with heater).

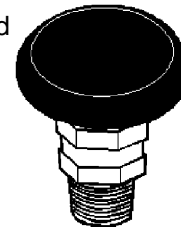


Figure 10

\* Items not supplied with the water heater

\*\* The side recirculation loop connections may not be used as the primary water inlet and outlet connections. For your convenience, plugs are installed in these fittings at the factory. Remove these plugs if needed for your specific installation. Otherwise (as with all connections) check for leaks while filling the tank with water and after completing the installation.

\*\*\* **Caution:** harness has 120 VAC present during operation.

## Replacement Parts And Delimiting Products

Replacement parts and recommended delimer may be ordered through authorized servicers or distributors. When ordering parts, provide complete model and serial numbers (see rating plate), quantity and name of part desired. Standard hardware items may be purchased locally.

## Combo Heating Inlet And Outlet Side Taps

Models equipped with Combo Heating capabilities are shipped with the two side plumbing taps **PLUGGED** (item 18 and item 20 in Figure 4 and see also Figure 11). If the heater is to be operated using the side taps for combo heating, these taps **must be opened** by removing the two pipe plugs .

## Water Piping - Mixing Valve Usage

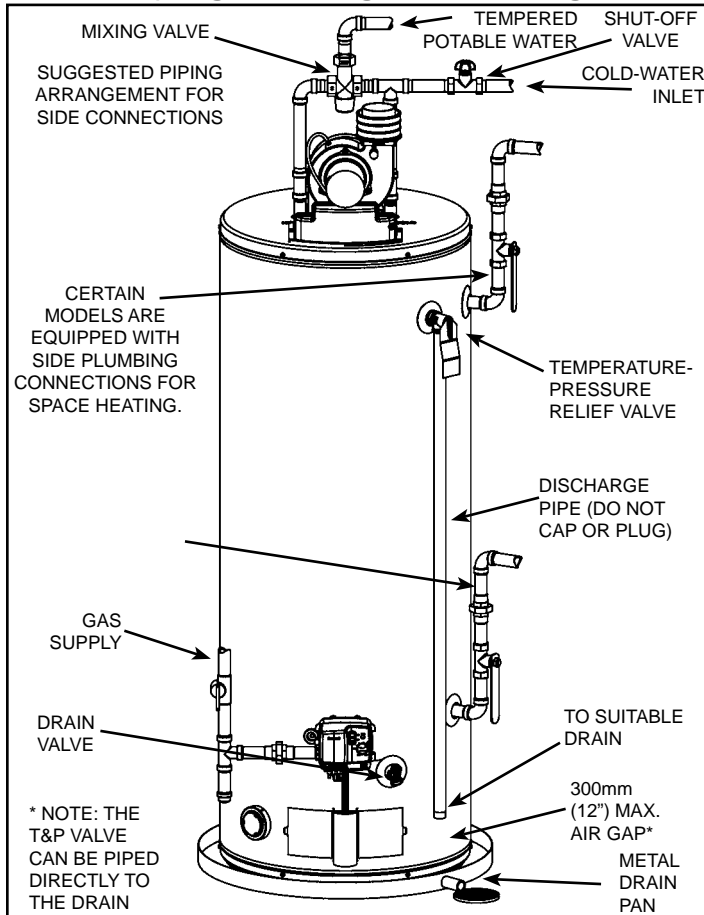


Figure 11

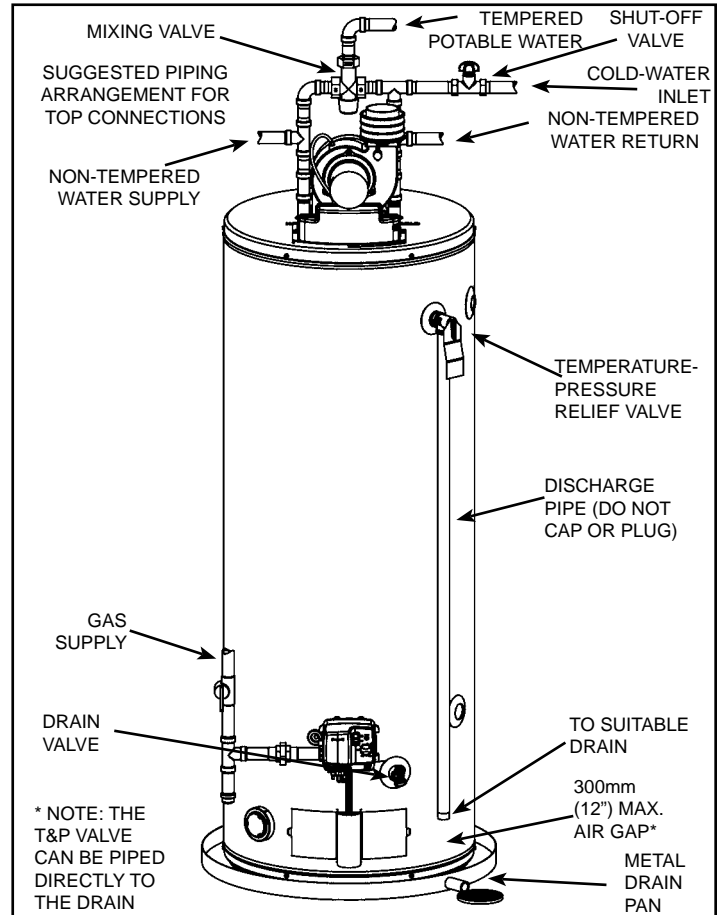


Figure 12

This appliance has been design certified as complying with CSA Standard for water heaters and certain models with side plumbing connections are considered suitable for Water (Potable) Heating and Space Heating.

The water heater should not be subjected to excessive water pressure fluctuations and should not be subjected to an operating pressure greater than 80 psi. If this occurs, a pressure-reducing valve with a bypass should be installed in the cold-water inlet line. This should be placed on the supply to the entire house in order to maintain equal hot and cold water pressure.

Water Temperature °C (°F)	Time for 1st Degree Burns (Less Severe Burns)	Time for Permanent Burns 2nd & 3rd Degree (Most Severe Burns)
44 (110)	(normal shower temp.)	
47 (116)	(pain threshold)	
47 (116)	35 minutes	45 minutes
50 (122)	1 minute	5 minutes
55 (131)	5 seconds	25 seconds
60 (140)	2 seconds	5 seconds
65 (149)	1 second	2 seconds
68 (154)	instantaneous	1 seconds

(U.S. Government Memorandum, C.P.S.C., Peter L. Armstrong, Sept. 15, 1978)

Table 2

### Mixing Valves

Water heaters are intended to produce hot water. Water heated to a temperature which satisfies space heating, clothes washing, dish washing, and other sanitizing needs can scald and cause permanent injury upon contact. Short repeated heating cycles caused by small hot-water uses can cause temperatures at the point of use to exceed the water heater's temperature setting by up to 17C° (30F°).

Some people are more likely to be permanently injured by hot water than others. These include the elderly, children, the infirm and the physically/mentally disabled. Table 2 shows the approximate time-to-burn relationship for normal adult skin. Provincial (Ontario) plumbing code requirements limit the temperatures of certain fixtures in the home. Local codes may have additional requirements. In addition to these requirements, if anyone using hot water in your home fits into one of these groups, then you must take special precautions. In addition to using the lowest possible temperature setting that satisfies your hot water needs, a means such as a Mixing Valve, should be used at the hot water taps used by these people or at the water heater. Mixing valves are available at plumbing supply or hardware stores. Consult Your Reliance installer or Service Agency. Follow mixing valve manufacturer's instructions for installation of the valves (see Figure 11 & Figure 12). Before changing the factory setting on the thermostat, read the "Temperature Regulation" section in this manual.

## Exhaust Venting

This heater is designed to exhaust the products of combustion (flue gases) to the outdoors using a sealed piping system. Table 4 lists the allowable vent materials and sizing information. Figure 17 shows the general venting layout while Figure 18 through Figure 20 show various end termination details and clearances. Connection of the venting piping to the blower is shown in Figure 22 thru Figure 26.

Correct installation of the venting system is essential to the safe and efficient operation of this water heater. Vent piping must be installed in accordance with all applicable national and provincial codes. All installations shall meet the requirements as stated in the latest edition of the **"Natural Gas and Propane Installation Codes" B149.1**.

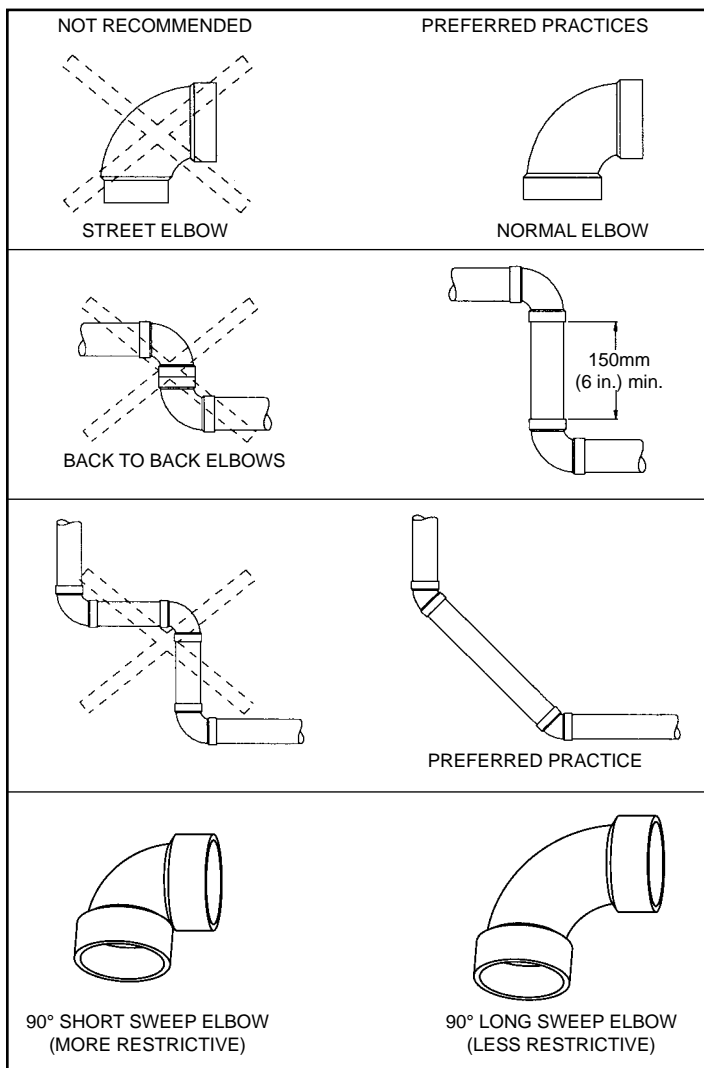


Figure 13

**Note:** The information provided in Figure 13 is intended as a guideline for good vent installation practices only and is not intended to restrict venting options beyond those restrictions established by the latest edition of the **"Natural Gas and Propane Installation Codes" B149.1** or any applicable local and provincial codes.

## High Ambient Temperature Installations

This heater requires room air to lower the flue gas temperatures before the gases pass through the vent system. The dilution air inlets are located on the rear of the blower assembly (see Figure 5 & Figure 27). As the room temperature rises, the ability to lower the flue gases lessens so special attention to the choice of venting material is required. Establishing the ambient temperatures where the heater and the venting is installed is very important, especially in regions with warmer climates or any region that experiences hot summers. Ambient conditions hotter than 43°C (110°F) require that the venting material be either CPVC or polypropylene. Areas that can experience high ambient environments include closets, alcoves, areas under staircases, attics especially in metal roofed buildings, areas with restricted air movement, rooms with large solar gains, metal sheds, industrial or commercial enterprises and venting systems exposed to direct sunlight. For high temperature environments, obtain high limit switch upgrade Kit # 9008306015 and use the higher rated vent piping.

### Important Notes and Warnings

- This heater is certified to be installed using Schedule 40 PVC or CPVC or polypropylene plastic vent material. All jurisdictions require that this material is approved to ULC S636. Only use approved material. All venting material and components must be joined with the approved primer/cleaner and solvent cement.
- Do not common vent this heater with any other appliance.
- During operation the plastic piping will expand as it heats up and contract as it cools down. This is normal for this type of venting. Rigidly fastening the vent piping can cause undue stress that may result in the cracking or fracturing the vent piping material. A fracture of the venting pipe may pose a serious safety hazard. To prevent stressing of the vent system, all hangers and supports must allow the vent piping freedom to move.
- Use long sweep elbows wherever possible. Closely-coupled elbows and short radius elbows can reduce the venting capacity.
- All power vented water heaters generate a certain amount of operational noise. In order to minimize noise transmission to the support structure, it is recommended to use isolation pads between the pipe hangers and the vent pipe.
- Most power vent installations develop some condensation in the vent piping. When using long runs of venting or when the venting passes through cold or unheated areas, considerable amounts of condensate from the flue gases can develop. Provision must be made for the condensate to drain freely from the system or to be collected in a condensate trap(s) that can be drained. Damage or fracture of the vent piping may occur if the condensate is allowed to collect and freeze. Pooling of condensate can restrict airflow and can cause nuisance failures of the system.

See also "Condensate" section.

### Venting Terminations and Sizing

- Refer to Figure 17 and Table 4 for vent pipe materials and sizing. Examples of the vent terminations are shown in Figure 18 and Figure 19. If the installation requires a vent riser, suitable drainage must be provided to ensure condensation does not accumulate. Termination through a roof is shown Figure 20.
- 40, 50 and 60-gallon heaters with rated inputs of 50k Btu/hr or less are supplied with a 2" termination elbow, a plastic "rodent screen" and a wire mesh "rodent screen" (see Figure 14).
- 50 and 75-gallon heaters with rated inputs of 60k Btu/hr or more are supplied with a 3" termination elbow, a plastic "rodent screen" and a wire mesh "rodent screen" (see Figure 15).

### Rodent Screens

A vent termination screen is required to keep foreign objects, rodents and small birds from entering the venting system. These screens have been sized to ensure maximum energy efficiency of the vent system based on the "equivalent length" of the vent piping. **CHOOSE ONLY the ONE SCREEN THAT MATCHES YOUR VENTING CONFIGURATION** (see Figure 14 & Figure 15). How to determine the "equivalent length" is shown in Figure 17 and in Table 4. This will allow for easy removal for inspection and cleaning.

- For heaters with rated inputs of 50k Btu/hr or less see Figure 14.
- For heaters with rated inputs of 60k Btu/hr or more see Figure 15.

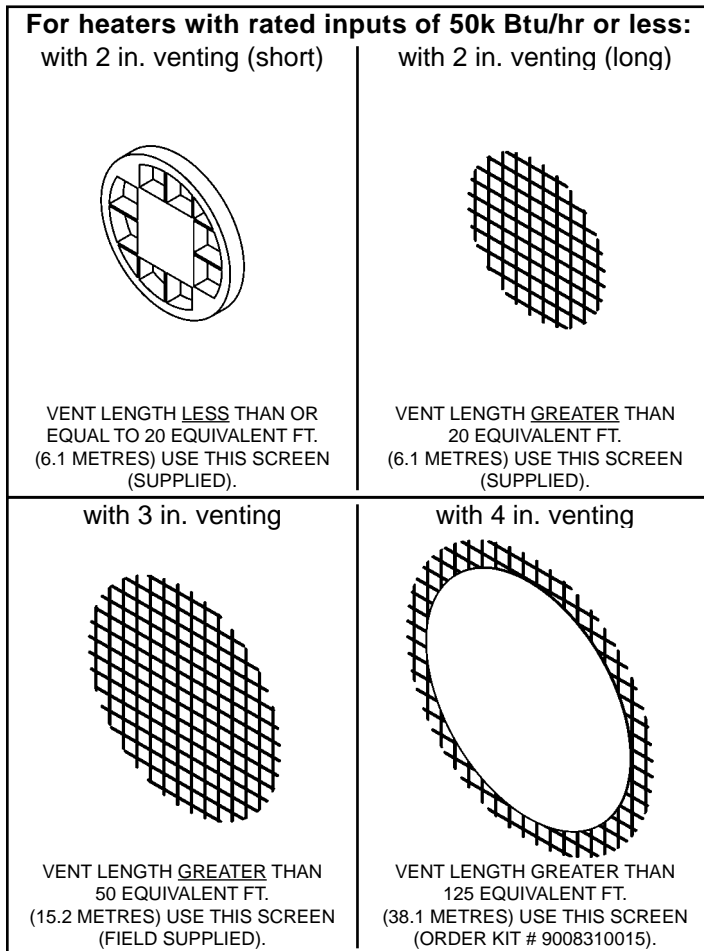


Figure 14

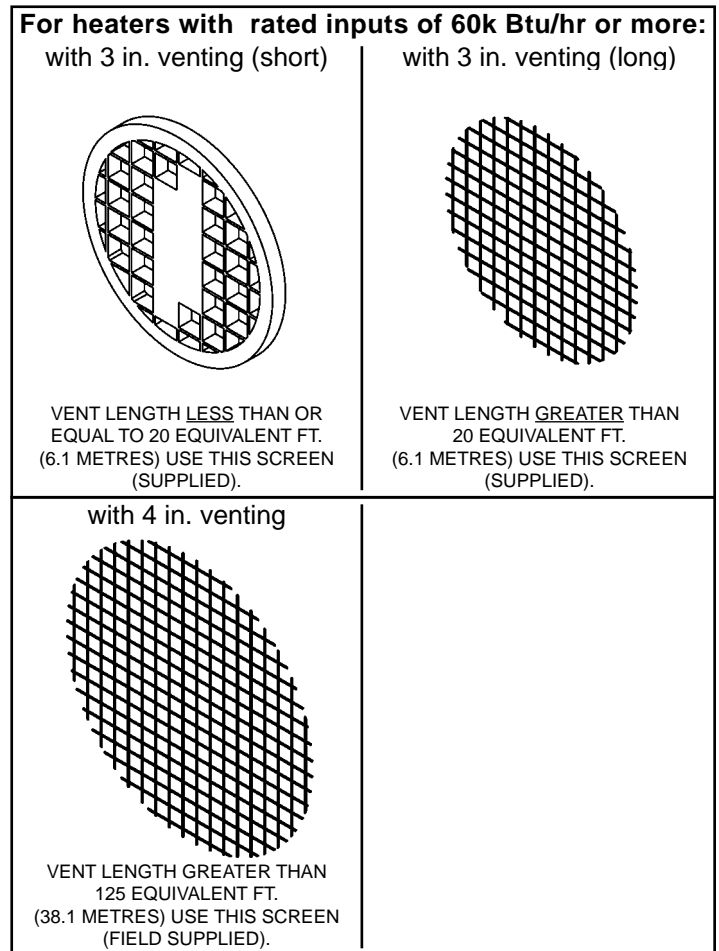


Figure 15

# Termination Clearances Sidewall Power Vent

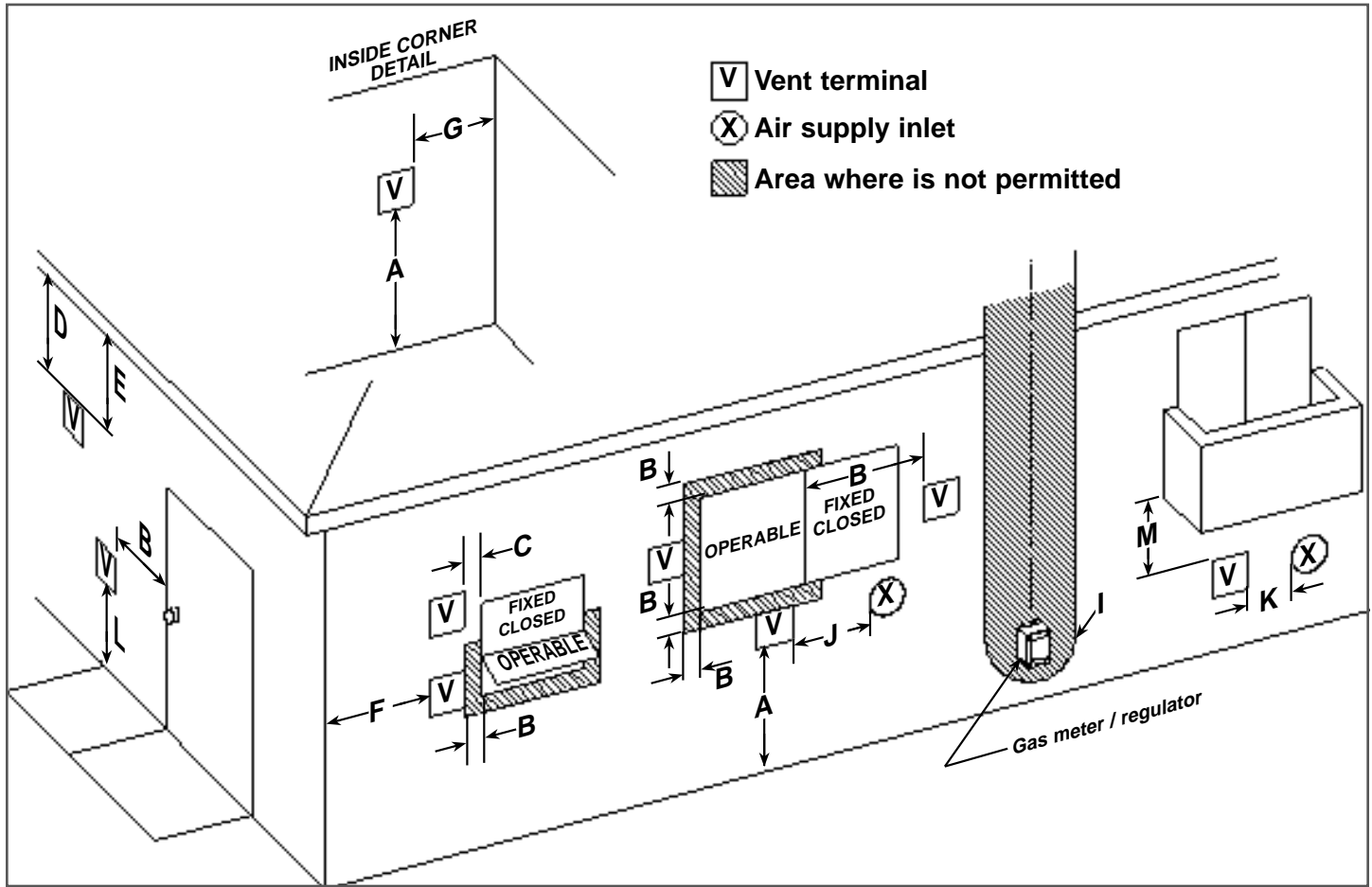


Figure 16

Vent terminal clearances for "Power Vent" installations. Power Vent configurations use room air for combustion.

A	Clearance above grade, veranda, porch, deck, or balcony	300mm (12 in.)	I	Clearance to service regulator vent outlet	910mm (36 in.)
B	Clearance to window or door that may be opened	150mm (6 in.) for appliances ≤ 10,000 Btuh (3 kW), 300mm (12 in.) for appliances > 10,000 Btuh (3 kW) and ≤ 100,000 Btuh (30 kW), 910mm (36 in.) for appliances >100,000 Btuh (30 kW)	J	Clearance to nonmechanical air supply inlet to building or the combustion air inlet to any other appliance	150mm (6 in.) for appliances ≤ 10,000 Btuh (3 kW), 300mm (12 in.) for appliances > 10,000 Btuh (3 kW) and ≤ 100,000 Btuh (30 kW), 910mm (36 in.) for appliances >100,000 Btuh (30 kW)
C	Clearance to permanently closed window	*	K	Clearance to a mechanical air supply inlet	1.83m (6 ft.)
D	Vertical clearance to ventilated soffit located above the terminal within a horizontal distance of 610mm (24 in.) from the center line of the terminal	*	L	Clearance above paved sidewalk or paved driveway located on public property	2.13m (7 ft.) †
E	Clearance to unventilated soffit	*	M	Clearance under veranda, porch, deck, or balcony	300mm (12 in.) ‡
F	Clearance to outside corner	*	† A vent shall not terminate where it may cause hazardous frost or ice accumulations on adjacent property surfaces. ‡ Permitted only if veranda, porch, deck, or balcony is fully open on a minimum of two sides beneath the floor. * "Clearance in accordance with local installation codes and the requirements of the gas supplier."		
G	Clearance to inside corner	*			
H	Clearance to each side of center line extended above meter/regulator assembly	910mm (3 ft.) within a height 4.57m (15 ft.)* above the meter/regulator assembly			

Table 3

## Calculating Equivalent Feet

WATER HEATER MODEL	HEATER INPUT (Btu/hr)	VENT SIZE (Inside Diam.)	PRESSURE SWITCH SETTING	MAXIMUM EQUIVALENT VENT LENGTH	MINIMUM EQUIVALENT VENT LENGTH
40 & 50 gal.	40,000	2"	- 0.27 in. w.c.	50 ft. (15.2m) + termination elbow	7 ft. (2.1m) + termination elbow
60 gal.	42,000		- 0.27 in. w.c.		
40 & 50 gal.	50,000		- 0.37 in. w.c.		
40 & 50 gal.	40,000	3"	- 0.27 in. w.c.	125 ft. (38.1m) + termination elbow	50 ft. (15.2m) + termination elbow
60 gal.	42,000		- 0.27 in. w.c.		
40 & 50 gal.	50,000		- 0.37 in. w.c.		
50 gal. (short)	62,000	3"	- 0.99 in. w.c.	50 ft. (15.2m) + termination elbow	7 ft. (2.1m) + termination elbow
75 gal.	72,000		- 0.99 in. w.c.		
40 & 50 gal.	40,000	4"	- 0.27 in. w.c.	180 ft. (54.9m) + termination elbow	125 ft. (38.1m) + termination elbow
60 gal.	42,000		- 0.27 in. w.c.		
40 & 50 gal.	50,000		- 0.37 in. w.c.		
50 gal. (short)	62,000	4"	- 0.99 in. w.c.	125 ft. (38.1m) + termination elbow	50 ft. (15.2m) + termination elbow
75 gal.	72,000		- 0.99 in. w.c.		

Equivalent lengths of straight pipe for various elbows using Schedule 40 PVC, CPVC and polypropylene.

Vent Pipe Size	Elbow Type	Short Sweep/ Short Radius	Long Sweep/ Long Radius	Notes:
2" 3" 4"	90°	8 ft. (2.44m)	5 ft. (1.52m)	<b>Notes:</b> 1. Use long radius elbows where possible. Minimum distance between 90° elbows should be 150mm (6") wherever possible. 2. Venting systems may use a maximum of five (5) 90° elbows. 3. Use proper screen termination (see Figure 14 & Figure 15).
2" 3" 4"	45°	4 ft. (1.22m)	2.5 ft. (0.76m)	

Table 4

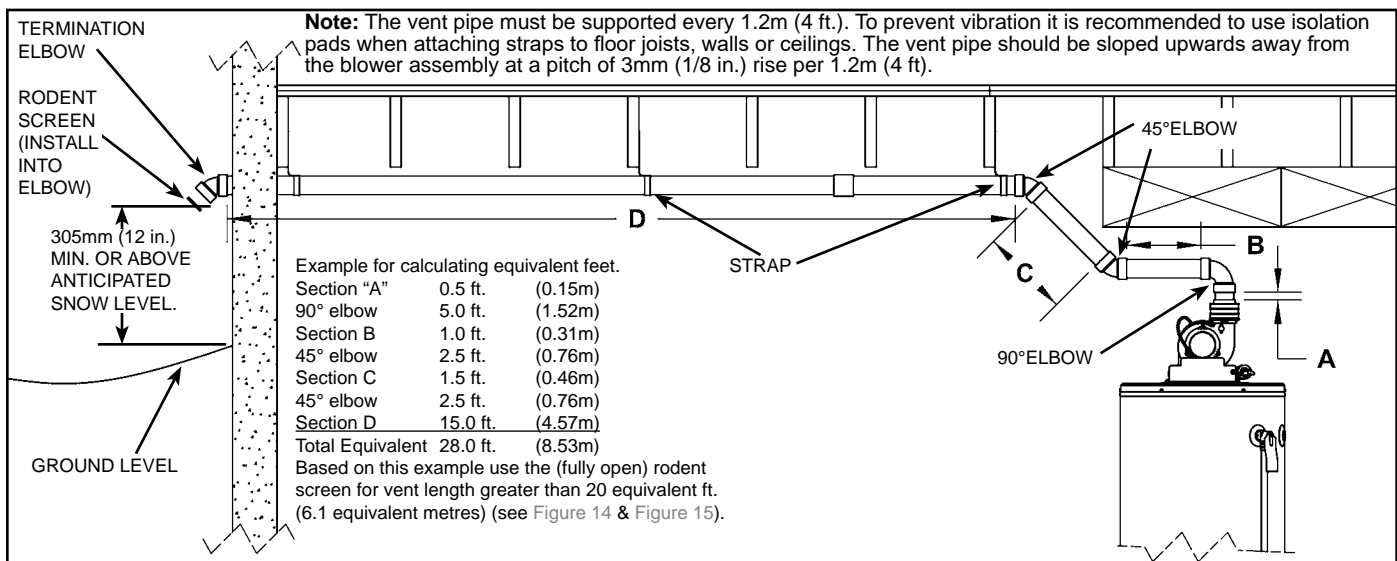


Figure 17

## Venting Instructions

1. Plan the venting layout starting at the vent termination and work back toward the heater. Take into consideration the style and position of the vent termination, the vent pipe routing, elbows and connectors required and the necessary support hangers. Follow the vent manufacturer's installation instructions.
2. 40, 50 and 60-gallon heaters may use 2 in., 3 in. or 4 in. venting depending on "Equivalent Vent Length" as described in Table 4. High input models require 3 in. or 4 in. venting. See also the section on "Vent pipe connection to blower".
3. Venting should be as direct as possible with the fewest number of fittings. Use long radius 45 degree and long radius 90 degree elbows wherever possible.
4. Avoid the use of 90 degree elbows "back to back" and do not use street elbows. Maintain a minimum 150mm (6 in.) straight section between elbows. Closely coupled and short radius elbows reduce the venting capacity. Figure 13 shows examples of vent pipe connections.
5. **DO NOT USE AN ELBOW AS A SUPPORT POINT.** Elbows are not designed to carry the weight of the venting system. Figure 13 shows examples of vent pipe connections.
6. Calculate "Equivalent Vent Length" before starting. Do not exceed the values shown in Table 4. An example of how this length is determined is shown in Figure 17. The value from your calculations should also be used to determine which rodent screen to install into the vent termination elbow.
7. Follow the vent manufacturer's instructions for cutting and assembling the venting.
8. Provide support hangers for horizontal vent piping every 1.2m (4 ft.) to prevent sagging and stress. Provide a minimum of 3mm (1/8 in.) rise per 1.2m (4 ft.) of vent piping to ensure adequate drainage. Horizontal vent piping must not sag to form valleys where condensate may collect. Vertical venting shall be supported every 1.5m (5 ft.).



### CAUTION:

#### Use of Solvent Cement and Primer

- **Use only in well-ventilated areas.**
- **Do not use near flame or open fire.**
- **Use only the Solvent Cement and Primer appropriate for the venting material being used.**
- **Solvent cements for plastic pipe are flammable liquids and must be kept away from all sources of ignition.**

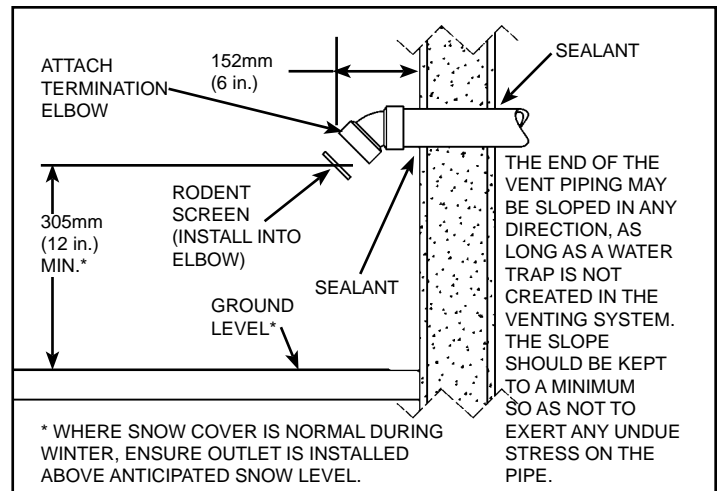


Figure 18

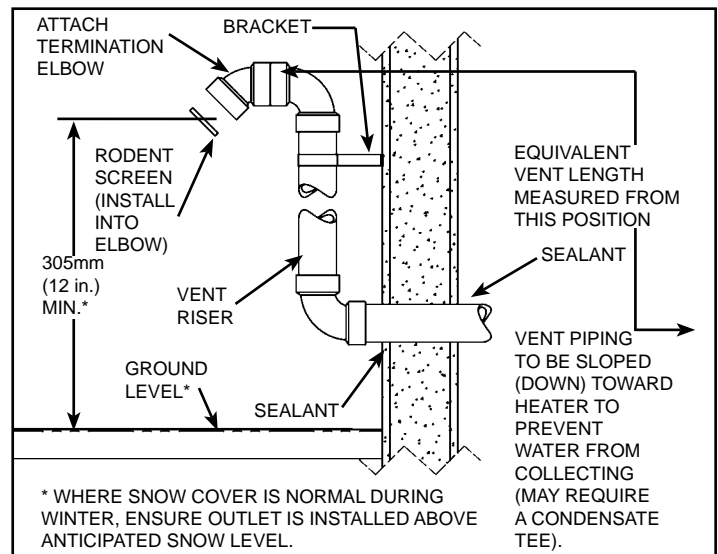


Figure 19

**Caution:** Solvent cements may produce flammable vapours. Use only in well-ventilated areas and keep away from all sources of ignition.

**Note:** Vapours produced by solvent cements can trigger the vapour sensor and lock-out the heater (see "Flammable Vapour Sensor" section).

9. Install the properly sized rodent screen into the outlet elbow and secure with a small quantity of silicone sealant (see "Rodent Screen" section).
10. Do not seal the vent piping to the wall until the venting is properly connected to the blower assembly.

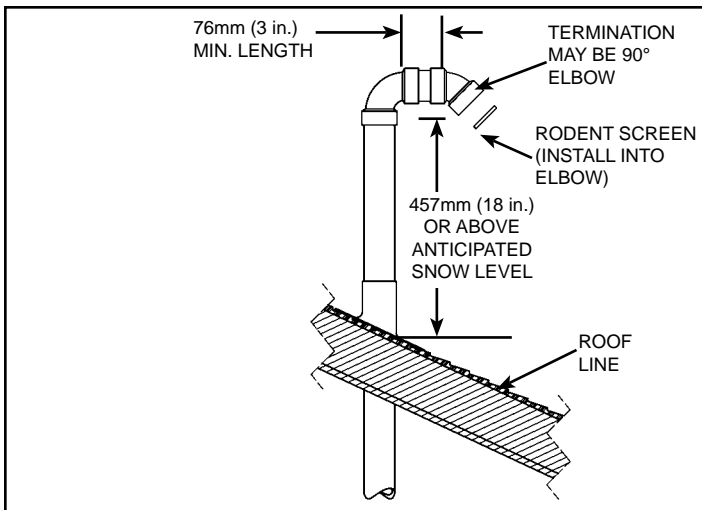


Figure 20

### Blower Exhaust Direction

The blower assembly may be rotated 90 degree clockwise or counterclockwise to allow horizontal venting in areas having restricted space above the water heater. To rotate the blower outlet, remove the four nuts (with 11/32" nut driver) (see Figure 21), securing the flue collector to the blower housing. Pull the blower assembly forward to free it from the mounting studs. Rotate the blower housing clockwise or counter-clockwise and align the four holes and screws together. Reattach the blower housing to the flue collector.

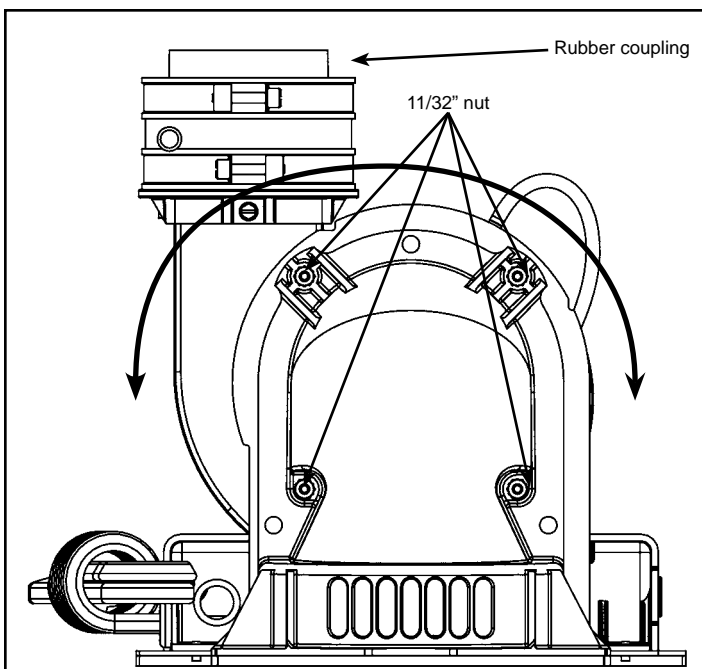


Figure 21

This power vent heater can accept 2" or 3" rubber coupling, depending on the capacity of the water heater. This coupling accepts the vent piping and is attached as shown in Figure 22 through Figure 27. Refer to Figure 17 and Table 4 to determine vent pipe sizing for your application.

### Blower Assembly Installation

1. This power vented water heater comes with blower assembly installed (see Figure 27).
2. After unit is set in place, make sure blower assembly is still mounted securely. Make sure there is no damage to blower.
3. Make sure there is no packing material in the inlet or discharge of the blower.
4. Make sure that the plastic tubing is still attached from the air pressure switch to the port on the blower housing. Make sure the plastic tubing is not folded anywhere between the pressure switch and the blower housing.
5. This water heater is a polarity sensitive appliance and will not operate if the power supply polarity is reversed. Power to this water heater must be wired properly (correct polarity).
6. Do not plug in power cord until vent system is completely installed. The Power Vent operates on 110 -120 VAC. therefore a grounded outlet must be within reach of the 1.8m (6 ft.) flexible power cord supplied with the heater. The power cord supplied may be used on a unit only where local codes permit. If local codes do not permit use of flexible power supply cord, install field wiring. To connect the heater to field wiring:
  - a. Make sure the unit is unplugged from the wall outlet. Remove the screw and open panel on the front of the junction box on the blower.
  - b. Install a suitable conduit fitting inside the enclosure.
  - c. Splice field wiring into existing wiring using code authorized method (wire nuts, etc).
  - d. Be certain that the neutral and line connections are not reversed when making these connections.
  - e. Ground heater properly. This water heater must be grounded in accordance with the latest edition of "**Canadian Electrical Code**", **Part I (C22.1)** and/or local codes. These must be followed in all cases if hard wired.
  - f. Close the panel on the junction box. Make sure that the access panel is secured shut.
7. The blower discharge boot is made to accept only straight sections of 2" or 3" pipe. To start off with an elbow, a short section of the furnished pipe must be cut and glued into the end of the elbow that will mount on the discharge boot.



## Vent Pipe Connection to Blower

### ⚠ CAUTION:

- **Do Not Overtighten The Top And Bottom Gear Clamps Of The Rubber Coupling.**
- **Do Not Apply Solvent Cement Or Silicone To The Rubber Coupling Connection.**

1. The plastic vent piping connects into the rubber coupling located on the top of the blower assembly. This coupling includes gear clamps to connect the venting to the blower. These connections must be properly seated and tightened to prevent the leakage of flue gases into the area. See Figure 22 thru Figure 26.
2. The 40, 50 and 60-gallon heaters with rated inputs of 50,000 Btu/hr or less are designed and supplied with a 51mm (2 in.) rubber coupling to accept the vent pipe.
3. The 50 and 75-gallon models with rated inputs of 60,000 Btu/hr or more are supplied with a 76mm (3 in.) rubber coupling to accept the vent pipe.
4. Before installing, clean and lightly sand the end of the plastic vent piping that will connect into the rubber coupling.
5. Loosen the upper clamp on the rubber coupling and insert the sanded end of the vent piping a full 32mm (1-1/4 in.). Do not use glue or sealant in the rubber coupling. Check that there is no stress on the connection or the vent piping that may be caused by twisting or bending.
6. Tighten the upper clamp so that the vent piping is firmly secured in the coupling and is gas tight. Do not over tighten or cause distortion of any of the parts. Ensure the bottom of the rubber coupling is firmly seated on the blower outlet and that the lower gear clamp is also secure. Check to ensure there is no distortion or movement of the clamped assembly once it is completed.
7. A rubber coupling is an integral part of the vent system and must be used in every installation. Failure to do so may result in overheating, poor performance, nuisance lock-outs, personal injury or death.

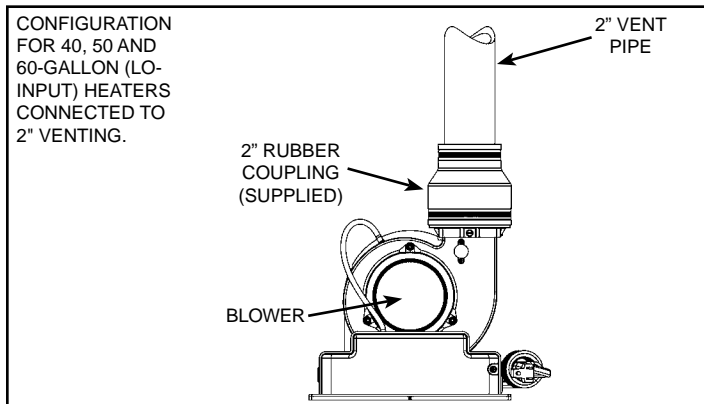


Figure 22

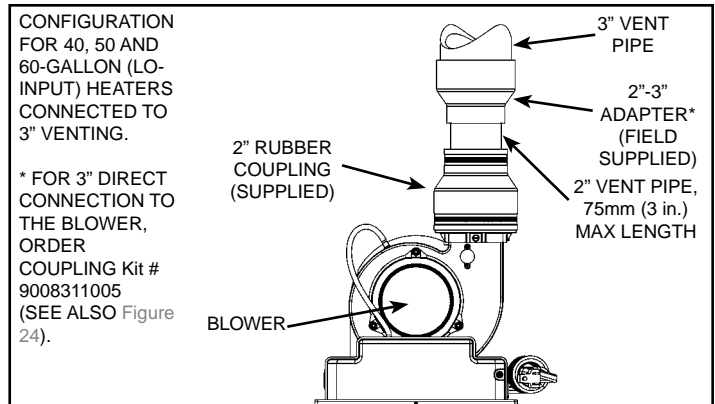


Figure 23

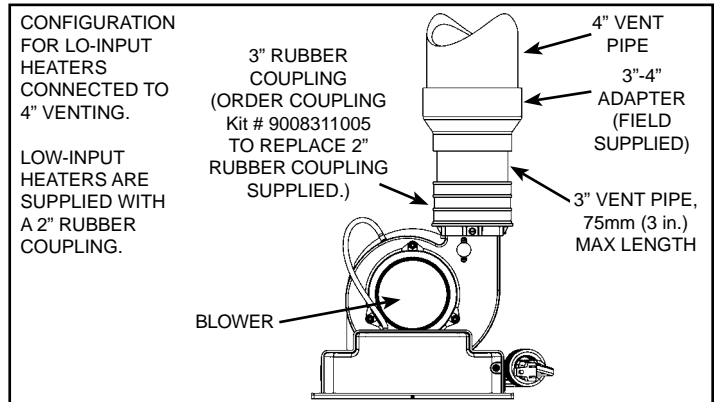


Figure 24

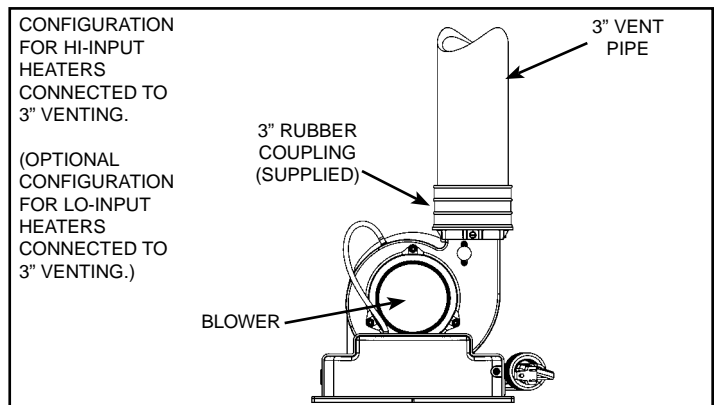


Figure 25

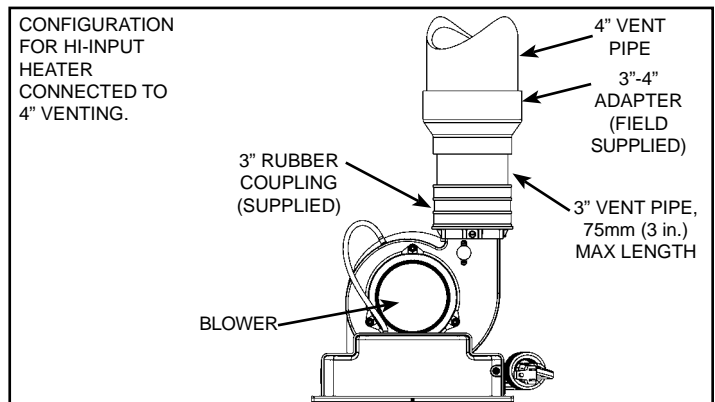


Figure 26

## Condensate

Condensate formation does not occur in all installations of power vented water heaters, but should be drained on installations where it can form in the venting system. Condensation in the venting system of power vented water heaters is dependent upon installation conditions including, but not limited to ambient temperature and humidity of installation location, ambient temperature and humidity of venting space, vent discharge and slope, and product usage. In certain conditions, installations in unconditioned space or having long horizontal or vertical vent runs can accumulate condensate. Long lengths of venting that pass through cool/cold areas will experience condensation. The vent pipe should be sloped upwards away from the blower assembly, then adequate means for draining and disposing of the condensate needs to be made by the installer. If installation conditions cause condensation, install a condensate trap loop approximately 200mm (8 in.) in diameter using 3/8" plastic hose. Connect the hose to the built-in drain port of the rubber coupling of the blower assembly (see Figure 27). Loop the hose in a vertical position as shown. The tube loop must be filled with water at least half way prior to operating the heater. Ensure the end of the tube has access to a drain as condensate will flow from the end. Secure the tubing to the side of the heater. Prior to operating the water heater, make sure the removable cap is installed on the drain port (if a drain hose is not needed). **Note:** This cap must remain in place if a drain hose is not installed.

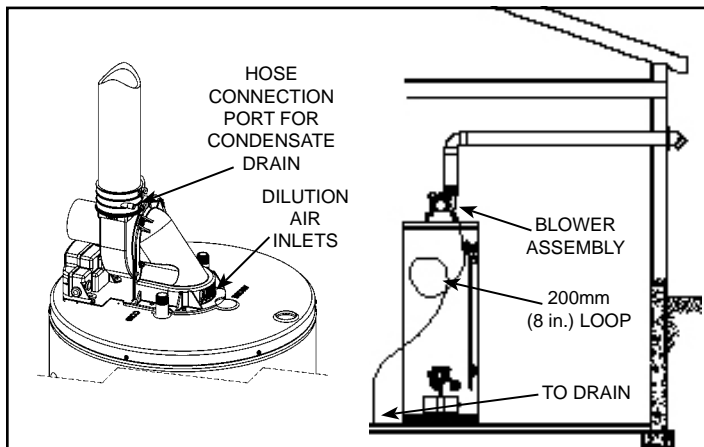


Figure 27

## Water Supply

### Piping Installation

Piping, fittings, and valves should be installed according to the installation drawing (Figure 28). Water supply pressure should not exceed 550 kPa (80psi). If this occurs a pressure reducing valve and/or an expansion tank may be required. The pressure reducing valve should be placed on the supply to the entire house in order to maintain equal hot and cold water pressures.

### Important:

- Do not apply heat to the water fittings on the heater as they may contain nonmetallic parts. If solder connections are used, solder the pipe to an adapter before attaching the adapter to the hot and cold water fittings.
  - All models contain energy saving heat traps to prevent the circulation of hot water within the pipes.
  - Always use a proper grade of joint compound and be certain that all fittings are drawn up tight.
1. Install the water piping and fittings as shown in Figure 28. Connect the cold water supply to the fitting (3/4" NPT) marked "COLD" (or "C"). Connect the hot water supply to the fitting (3/4" NPT) marked "HOT" (or "H").
  2. The installation of unions in both the hot and cold water supply lines is recommended.
  3. The manufacturer of this water heater recommends installing a mixing valve in the domestic hot-water line as shown in Figure 29. These valves reduce the point-of-use water temperature by mixing cold and hot water.
  4. If installing the water heater in a closed water system, install an expansion tank in the cold water line as specified under "Closed System/Thermal Expansion".
  5. Install a shut-off valve in the cold-water inlet line. It should be located close to the water heater and be easily accessible. The owner/operator must be shown the location of this valve and be given instructions on how to use it to shut off the water to the heater.

## Filling the Water Heater

Do not insert the power cord into the electrical receptacle until all the following steps have been completed.

1. Make sure the drain valve is closed.
2. Open a nearby hot-water faucet served by the system to allow air to escape from the tank.
3. Open the cold-water inlet valve.  
**Note:** When filling, avoid water leakage. Do not allow the insulation of the water heater to get wet as water can reduce the effectiveness of the insulation.
4. When an uninterrupted stream of water, without apparent air bubbles, flows from the open hot-water faucets, the tank is full.
5. Close the hot-water faucets and check the system for leaks. Repair as required and retest.

Please note the following:

The system should be installed only with piping that is suitable for potable (drinkable) water.

**DO NOT** use any pumps, valves, or fittings that are not compatible with potable water.

**AVOID** use of valves that may cause excessive restriction to water flow. Use full flow ball or gate valves only.

**DO NOT** use any lead based solder in potable water lines. Use appropriate tin-antimony or other equivalent material.

**DO NOT** tamper with the gas control/thermostat, igniter, flammable vapour sensor or temperature and pressure relief valve. Tampering voids all warranties. Only a qualified Reliance service technician should service these components.

**DO NOT** use with piping that has been treated with chromates, boiler seal, or other chemicals.

**DO NOT** add any chemicals to the system piping which will contaminate the potable water supply.

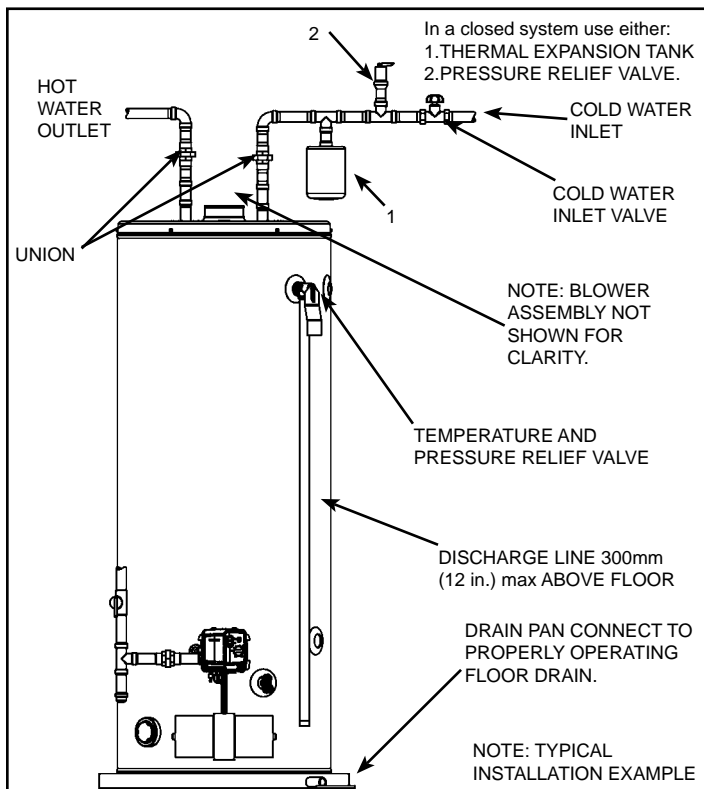


Figure 28

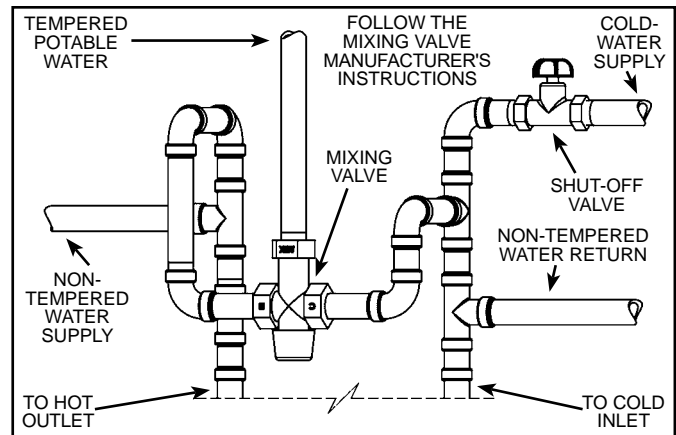


Figure 29

## Closed System/Thermal Expansion

Water supply systems may, because of code requirements or such conditions as high line pressure, among others, have installed devices such as pressure reducing valves, check valves, and back flow preventers. Devices such as these cause the water system to be a closed system. As water is heated, it expands (thermal expansion). In a closed system the volume of water will grow when it is heated. As the volume of water grows there will be a corresponding increase in water pressure due to thermal expansion. Thermal expansion can cause premature tank failure (leakage). This type of failure is not covered under the limited warranty. Thermal expansion can also cause intermittent Temperature-Pressure Relief Valve operation: water discharged from the valve due to excessive pressure buildup. This condition is not covered under the limited warranty. The Temperature-Pressure Relief Valve is not intended for the constant relief of thermal expansion. A properly sized thermal expansion tank must be installed on all closed systems to control the harmful effects of thermal expansion. Contact a local plumbing service agency to have a thermal expansion tank installed.

**Important:** Do not plug or remove the temperature and pressure (T&P) relief valve.

## Temperature and Pressure (T&P) Relief Valve

For protection against excessive pressures and temperatures, a temperature and pressure relief valve must be installed in the opening marked "T&P RELIEF VALVE" (see Figure 31). This valve must be design certified to meet the requirements of the "**Standard For Relief Valves For Hot Water Supply Systems**", ANSI Z21.22/CSA 4.4. The function of the temperature and pressure relief valve is to discharge water in large quantities in the event of excessive temperature or pressure developing in the water heater. The valve's relief pressure must not exceed the working pressure of the water heater as stated on the data plate.

**Important:** Only a new temperature and pressure relief valve (supplied) should be used with your water heater. Do not place any valve between the relief valve and the tank.

### The Temperature and Pressure Relief Valve:

- Must not be in contact with any electrical part.
- Must be connected to an adequate discharge line.
- Must not be rated higher than the working pressure shown on the data plate of the water heater.

## ⚠ WARNING



### Explosion Hazard

- **If the temperature and pressure relief valve is dripping or leaking, have your Reliance technician repair it.**
- **Do not plug valve.**
- **Do not remove valve.**
- **Failure to follow these instructions can result in death or an explosion.**

### The Discharge Line/Relief Drain Tube:

- Must not be smaller than the pipe size of the relief valve or have any reducing coupling installed in the discharge line.
- Must not be capped, blocked, plugged or contain any valve between the relief valve and the end of the discharge line.
- Must terminate a maximum of 300mm (12 in.) above the floor.
- Must be capable of withstanding 121°C (250°F) without distortion.
- Must be installed to allow complete drainage of both the valve and discharge line.

The T&P valve shall be manually operated by the user at least once a year. Caution should be taken to ensure that no one is in front of or around the outlet of the discharge line, and that the water manually discharged will not cause any bodily injury or property damage because the water may be extremely hot. If after manually operating the valve, it fails to completely reset and continues to release water, immediately close the cold-water inlet to the water heater and shut off power to the heater. Follow the draining instructions in this manual, and replace the temperature-pressure relief valve with a properly rated/sized new one.

### Temperature-Pressure Relief Valve and Pipe Insulation

The T&P valve installed on this water heater is covered by insulation to minimize heat loss. The insulation has a hole on the bottom side to accommodate the valve outlet and allow for the piping connection. Do not restrict the outlet opening of the T&P valve.

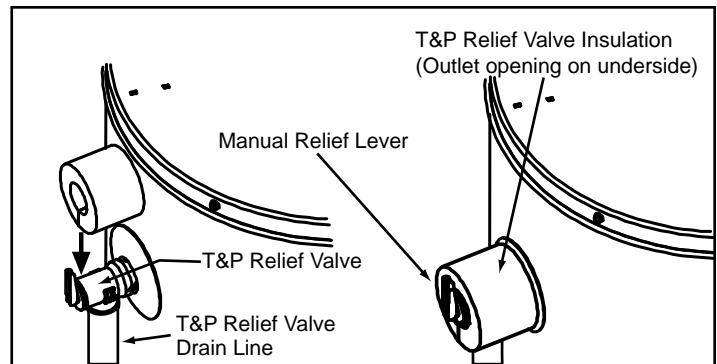


Figure 30

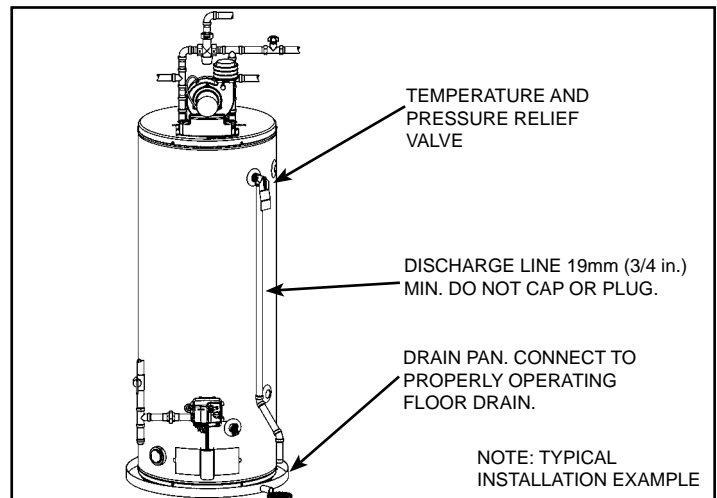


Figure 31

### Electrical Supply

## ⚠ WARNING

### Electrical Shock Hazard



- **Disconnect power before servicing.**
- **Replace all parts and panels before operating.**
- **Failure to do so can result in death or electrical shock.**

**Important:** The electrical controls used inside the gas control/thermostat of this water heater are polarity sensitive. Ensure the electrical supply is connected correctly in the receptacle box. Failure to connect correctly will prevent the unit from functioning properly (see Figure 33 (Honeywell), Figure 35 (Robertshaw), Figure 37 (White-Rodgers)). Before performing any electrical service work, label all wires to avoid connection errors. If wiring has to be replaced, use only **TYPE TEW 105°C** wire, (except igniter wires). If there is a problem with igniter wires, replace igniter assembly in its entirety. In locations where a sump pump failure, flooding or exposure to water may be present, a ground fault receptacle is recommended. **Important:** Do not use an extension cord to connect the water heater to an electrical outlet.

- Ensure that the water heater and the outlet are properly grounded. Failure to properly ground the heater can prevent the unit from operating.
- Ensure that the water heater is installed in accordance with prevailing provisions of the latest edition of "**Canadian Electrical Code**", Part I (C22.1).

Before applying power to the water heater, always make sure:

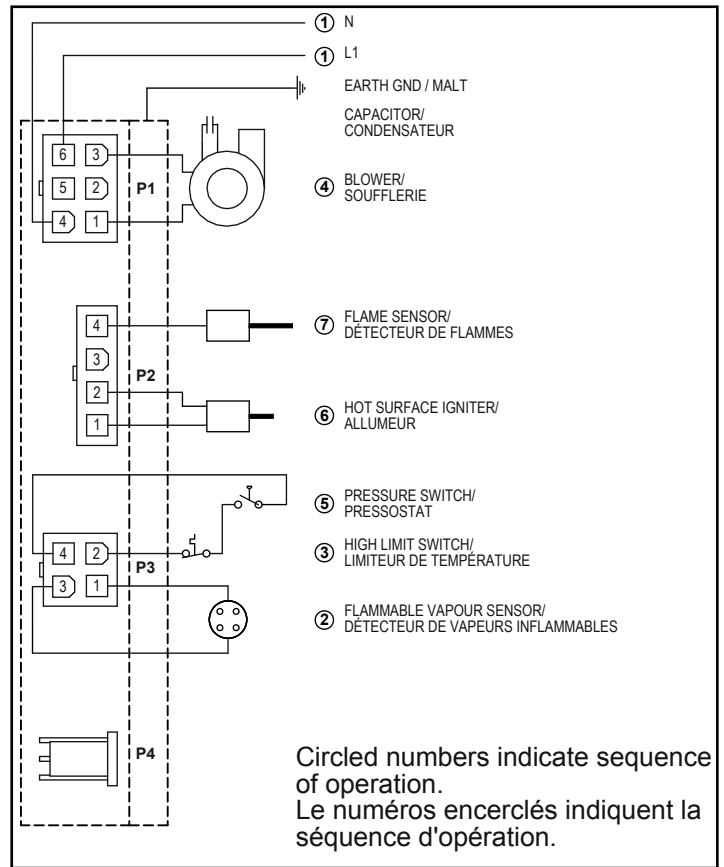
- The voltage and frequency correspond to that specified on the water heater wiring diagram.
- The electrical outlet has the proper overload fuse or breaker protection.
- Fill the tank with water and check all connections for leaks. Open the nearest hot-water faucet and let it run for 3 minutes to purge the water lines of air and sediment and to ensure complete filling of the tank. If all the steps in the "Installation Review" have been completed, the electrical power may be turned on. Verify proper operation after servicing.

**Note:** Always reference the wiring diagram for the correct electrical connections.

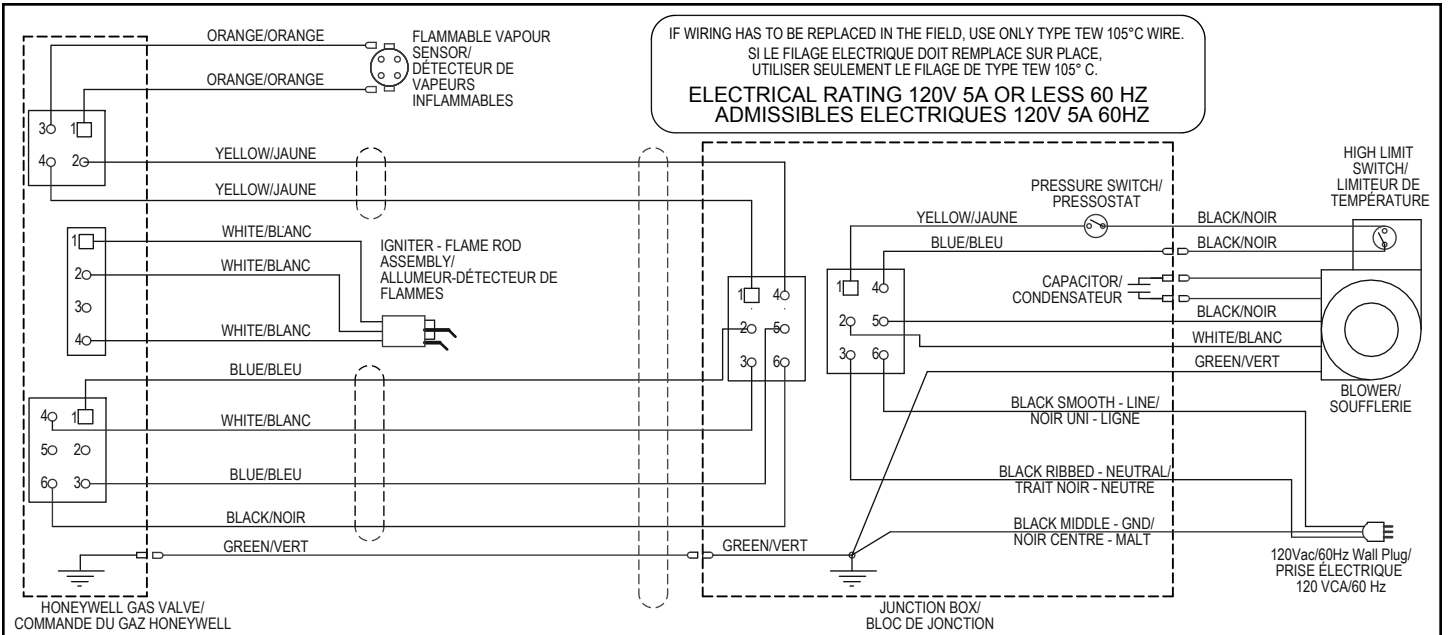
**⚠ WARNING**

**When the unit is plugged in, 120VAC is present at the electric connections of the gas control/thermostat.**

## Electrical Connections (Honeywell)

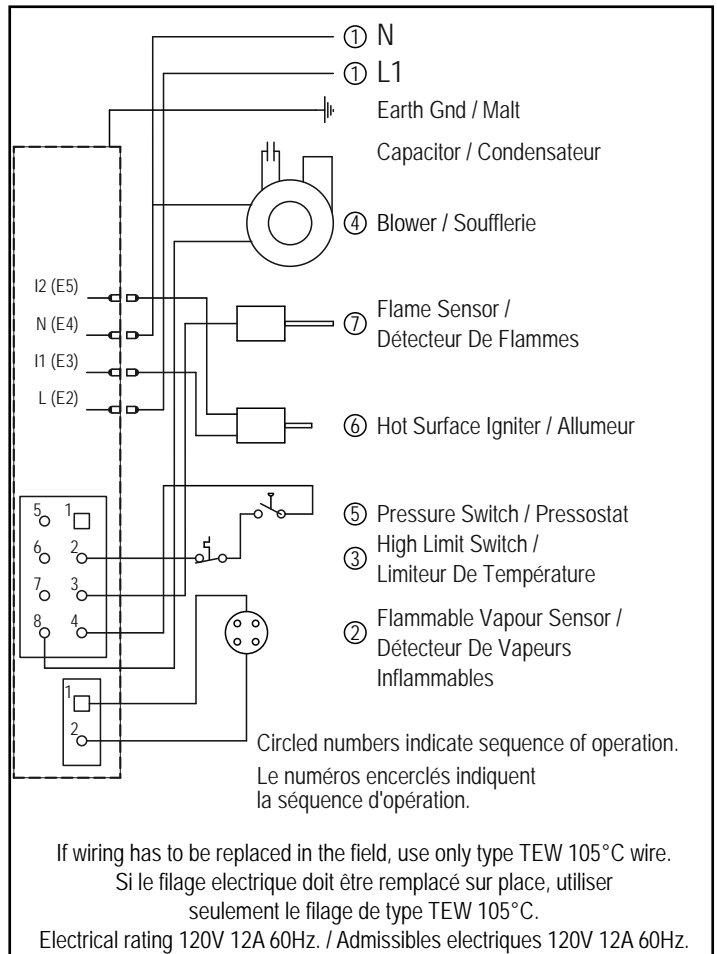


**Figure 32**

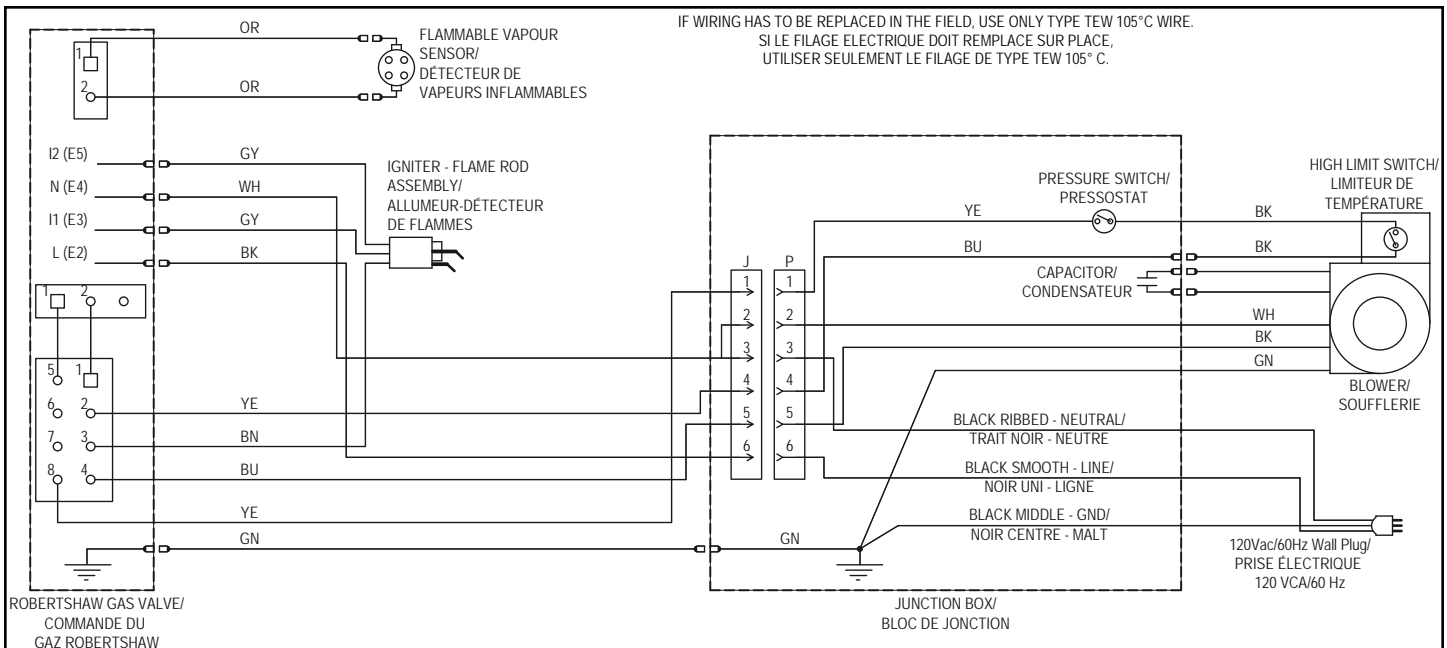


**Figure 33**

## Electrical Connections (Robertshaw)

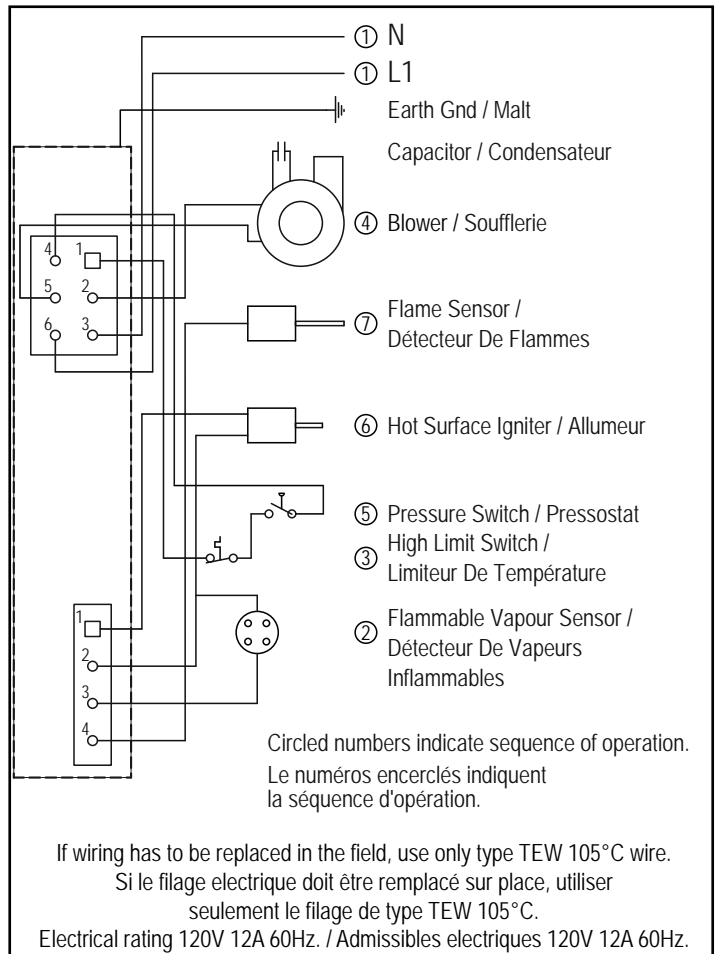


**Figure 34**

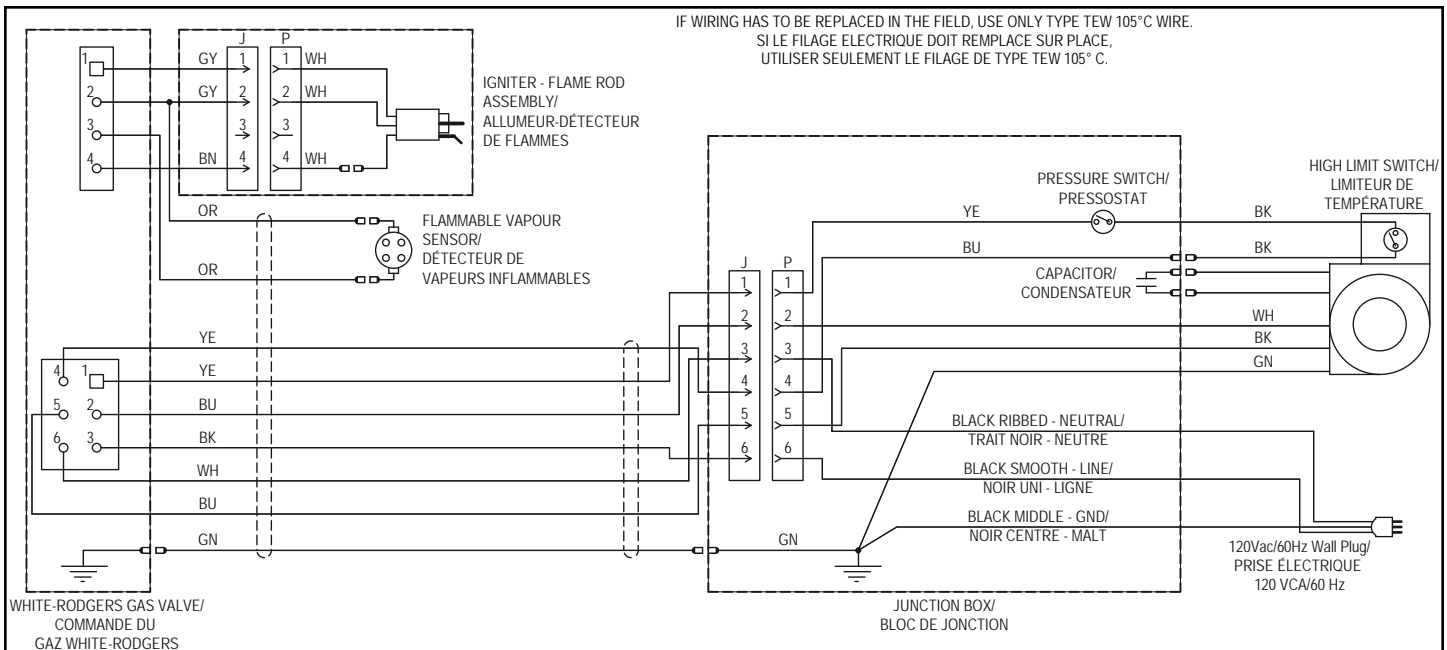


**Figure 35**

## Electrical Connections (White-Rodgers)



**Figure 36**



**Figure 37**

## SAFETY LOCKOUTS

This water heater has several lockout features designed to prevent the heater from operating in unsafe conditions.

### High Limit Controls

#### Thermostat/Water Temperature

This feature is a part of the gas control/thermostat (see Figure 42 (Honeywell, Figure 40 (Robertshaw), Figure 41 (White-Rodgers)) and limits the maximum water temperature. In the event of the water overheating, this safety feature shuts off the fuel supply to the burner. If the high limit is tripped, call your Reliance service technician.

#### Blower Exhaust Gas Limit Switch

This device is located on the blower (see Item 5, Figure 9) and limits the maximum temperature of the blower. If the blower temperature rises above the temperature setting, the switch opens causing the heater to shut down. The switch will auto reset once the temperature drops sufficiently.

### Blower Air Pressure Switch

This device, located in the junction box, monitors the air pressure produced by the blower. In the event that the exhaust venting becomes blocked or sufficiently restricted, the switch will shut the heater down (see Item 22, Figure 9).

### Flammable Vapour Sensor

When using a gas fired water heater there is a risk of flammable vapours entering the combustion chamber, being ignited by the burner flame and causing a flashback. In order to detect such flammable vapours before they enter the combustion chamber, this water heater is equipped with a flammable vapour sensor (FVS). It is a chemical-absorption based sensor that is connected to the gas control/thermostat (see Figure 38). When exposed to flammable vapours it will trigger the control to stop the flow of gas and enter the FVS lockout state. While in the FVS lockout state the LED on the control will flash the gas lockout code. (Refer to the "System Error Codes" section of this manual for an explanation of the codes applicable to the control installed on your water heater.) If this error occurs, check around the water heater for sources of chemical contamination such as: flammable vapours including gas vapours, solvents, paint and thinners as well as sources of water and detergents. Remove any such sources, check the surrounding area for damage and call your Reliance service technician to service the water heater and replace the flammable vapour sensor. If there is a problem with the wiring of the flammable vapour sensor or the flammable vapour interface the LED will flash the failure status code (see "System Error Codes" and (see Table 10 (Honeywell), Table 11 (Robertshaw), Table 12 (White-Rodgers)).

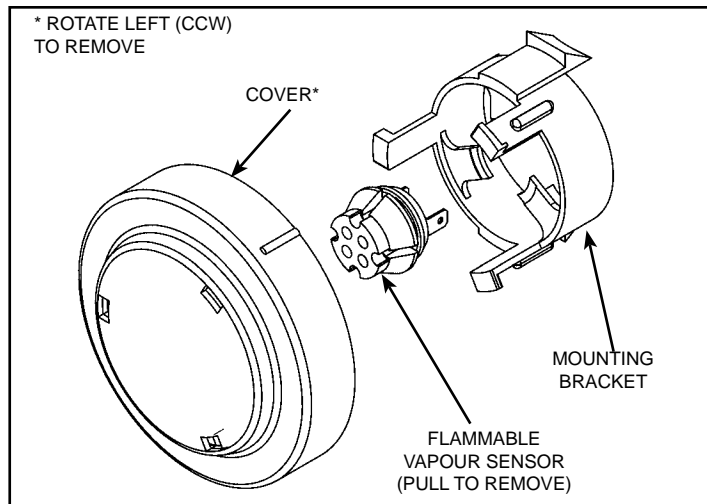


Figure 38

### Resettable Lockout

The gas control/thermostat can be reset by unplugging the power cord to remove power and then reinserting the plug to restore the power. The control will automatically attempt to reset after a 20 minute wait period.

### Water Heater Operation

Figure 39 shows the water heater's sequence of operation when a call for heat is initiated. The ignition control module will attempt to light the burner three times. If the ignition control does not detect ignition it will enter lockout mode and flash the corresponding error code.

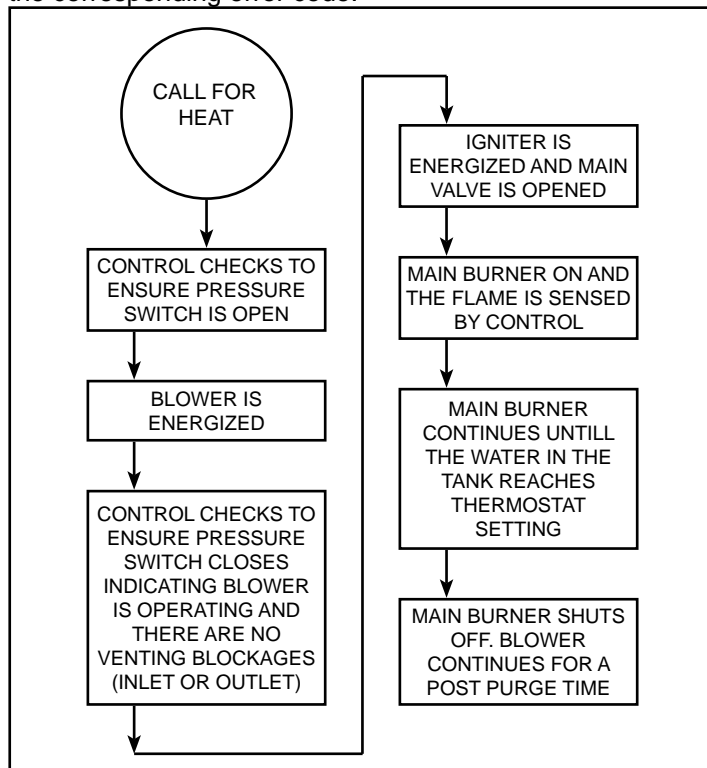


Figure 39



## Installation Review

**Note:** Use and complete this review before lighting the heater. Correct any conditions that do not meet these instructions.

### Water Heater Location

- Centrally located with the water piping system. Located as close to gas piping and vent pipe system as possible.
- Located indoors and in a vertical position. Protected from freezing temperatures.
- Proper clearances from combustible surfaces maintained and not installed directly on a carpeted floor.
- Provisions made to protect the area from water damage. Drain pan, if required, installed and piped to an adequate drain.
- Installation area free of corrosive elements and flammable material.
- Sufficient room to service the water heater.
- Protected from moving vehicles.

### Gas Supply and Piping

- Gas supply is the same type as listed on the water heater data plate.
- Gas line equipped with shut-off valve, disconnect means and drip leg
- Approved pipe joint compound used.
- Adequate pipe size and of approved material.
- Chloride-free soap and water solution or other approved means used to check all connections and fittings for possible gas leaks.

### Vent Pipe System

- Vent pipe and fittings of approved material.
- Acceptable size, length and number of elbows on exhaust vent system.
- Installed in accordance with the latest edition of “**Natural Gas and Propane Installation Code**” B149.1.
- Horizontal piping slopes at a pitch of 3mm (1/8 in.) rise per 1.2m (4 ft).
- Not obstructed in any way.

### Vent Termination

#### Horizontal

- 300mm (12 in.) min. above grade or above anticipated snow level.
- Away from corners, other vents, windows etc.

#### Vertical

- Exhaust vent termination 450mm (18 in.) min. above roof or above anticipated snow level.

### Water System Piping

- Temperature and Pressure relief valve properly installed with a discharge line protected from freezing and run to an open drain.
- All piping properly installed and free of leaks.
- Side taps plugged if not used for combo heating.
- Heater completely filled with water.
- Thermal expansion tank installed in closed system.

### Electrical Connections

- Unit connected to an adequate 120V electrical supply.
- Proper polarity.
- Power supply properly grounded.
- Installed in accordance with the latest edition of “**Canadian Electrical Code**”, Part I (C22.1).

**After all actions on this review are completed, read the Lighting Instructions and proceed with lighting the heater.**

## OPERATING INSTRUCTIONS

### **⚠ CAUTION:**

**Read before proceeding. If you do not follow these instructions exactly, a fire or explosion may result, causing property damage, personal injury or loss of life.**

**This appliance is equipped with an ignition device that automatically lights the burner.**

**Do not try to light manually with a match or flame.**

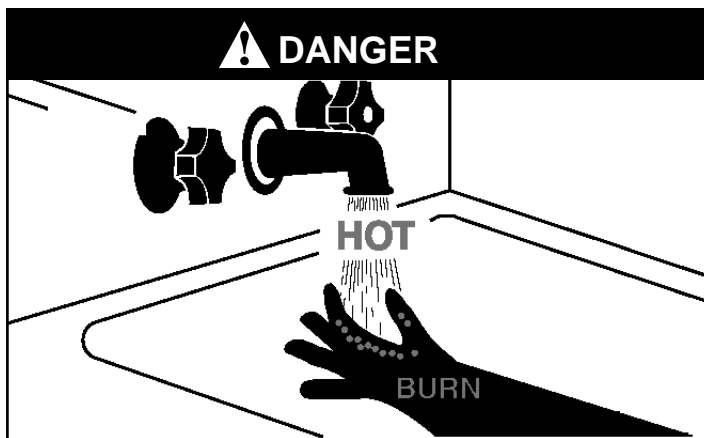
### Temperature Regulation

This water heater's intended purpose is to heat water. Hot water is needed for cleaning and sanitizing (bodies, dishes, clothing etc.). Untempered hot water can present a scald hazard. Depending on the time element and the people involved (adults, children, elderly, infirm etc.) scalding may occur at different temperatures.

It is recommended that lower temperatures be used to avoid the risk of scalding. It is further recommended that the water temperature be set for the lowest temperature that will satisfy your hot-water needs. This will also provide the most energy efficient operation of the water heater.

Short, repeated heating cycles caused by small water uses can cause temperatures at the point-of-use to exceed the thermostat setting by up to 17°C (30°F). This condition is referred to as "stacking". If you experience this type of use you should consider using lower temperature settings to reduce scald hazards.

Valves for reducing the point-of-use temperature by mixing cold and hot water are available.



Water temperature over 52°C (125°F) can cause severe burns instantly or death from scalds.

Children, disabled and elderly are at highest risk of being scalded.

Feel water before bathing or showering.

Temperature limiting valves are available.

### Mixing Valves

**Hot water can scald:** Water heaters are intended to produce hot water. Water heated to a temperature that will satisfy space heating, clothes washing, dish washing, and other sanitizing needs can scald and permanently injure you upon contact. Some people are more likely to be permanently injured by hot water than others. These include the elderly, children, the infirm, and physically/mentally handicapped.

If any one using the hot water fits into one of these groups or if there is a provincial or local code requiring a certain temperature water at the hot water faucet, then you must take special precautions. In addition to using the lowest possible temperature setting that will satisfy your hot-water needs, a means such as a mixing valve, should be used at the hot-water faucets or at the water heater. Mixing valves are available. Follow manufacturer's instructions for installation of these valves. Before changing the factory settings on the thermostat, read the "Temperature Regulation" section in this manual.

### **⚠ WARNING**

**Never allow small children to use a hot-water faucet, or to draw their own bath water. Never leave a child or impaired person unattended in a bathtub or shower. Scald burns can result.**

### **⚠ WARNING**

**Scald burns occur in under one second with 71°C (160°F) water, which the thermostat will deliver if the temperature is set at "VERY HOT". Lower settings of the temperature will reduce the risk of scald and will reduce your fuel bill.**

### **⚠ WARNING**

Risk of scalding

**Hot water can produce third degree burns**


<b>in 6 seconds at</b>	<b>60°C (140°F)</b>
<b>in 30 seconds at</b>	<b>54°C (130°F)</b>
<b>in 5 minutes at</b>	<b>49°C (120°F)</b>


See also "Operating The Temperature Control System".

## Lighting Instructions (Honeywell)

Read and understand these directions thoroughly before attempting to operate the water heater. Make sure the viewport is not missing or damaged. Make sure the tank is completely filled with water before operating the water heater. The gas control/thermostat has an "On/Off Switch" and must be turned on before the water heater is operational. Check the label on the front of the water heater near the gas control/thermostat for the correct gas. Do not start this water heater with any gas other than the one listed on the label. If you have any questions or doubts, consult the gas supplier or gas utility company. The following Lighting Instruction label appears on the front of the water heater.

### FOR YOUR SAFETY READ BEFORE LIGHTING

  
**WARNING:** If you do not follow these instructions exactly, a fire or explosion may result causing property damage, personal injury or loss of life.

  
FLAMMABLE

**BEFORE OPERATING: ENTIRE SYSTEM MUST BE FILLED WITH WATER AND AIR PURGED FROM ALL LINES.**

A. This appliance does not have a pilot. It is equipped with an ignition device which automatically lights the burner. **Do NOT try to light the burner by hand.**


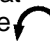

B. **BEFORE OPERATING** smell all around the appliance area for gas. Be sure to smell next to the floor because some gas is heavier than air and will settle on the floor.

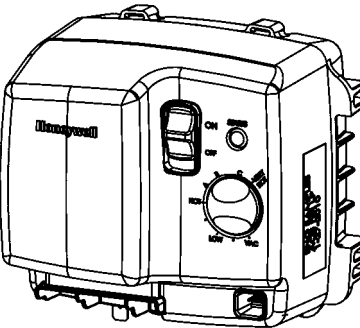
**WHAT TO DO IF YOU SMELL GAS:**

- Do not try to light any appliance.
- Do not touch any electric switch; Do not use any phone in your building.
- Immediately call your gas supplier from a neighbor's phone. Follow the gas suppliers instructions.


- If you cannot reach your gas supplier, call the fire department.
- C. Use only your hand to turn the gas control buttons. Never use tools. If the control buttons will not turn, don't try to repair them, call a qualified service technician. Force or attempted repair may result in a fire or explosion.
- D. Do not use this appliance if any part has been under water. Immediately contact a qualified installer or service agency to replace a flooded water heater. Do not attempt to repair the unit. It must be replaced!

### OPERATING INSTRUCTIONS

1.  **STOP!** Read the safety information above on this label.
2. Turn off all electric power to the appliance.
3. Turn the thermostat counter-clockwise  to the lowest setting.
4. Set the switch on the control to the "OFF" position.
5. Do not attempt to light manually.
6. Wait five (5) minutes to clear out any gas. If you then smell gas, **STOP!**  Follow "B" in the safety information above on this label. If you don't smell gas, go the next step.




7. Turn on all electric power to the appliance.
8. Set the switch on the control to the "ON" position.
9. Turn thermostat to desired setting.

 **DANGER** Hotter water increases the risk of scald injury. Consult the instruction manual before changing temperature.

10. If the appliance will not operate, follow the instructions "To Turn Off Gas To Appliance" and call your service technician or gas supplier.

### TO TURN OFF GAS TO APPLIANCE

1. Turn the thermostat counter-clockwise  to the lowest setting.
2. Set the gas control switch to the "OFF" position.
3. Turn off electrical power to the appliance if service is to be performed.

324501-000

## Lighting Instructions (Robertshaw)

Read and understand these directions thoroughly before attempting to operate the water heater. Make sure the viewport is not missing or damaged. Make sure the tank is completely filled with water before operating the water heater. The gas control/thermostat has an "On/Off Switch" and must be turned on before the water heater is operational. Check the label on the front of the water heater near the gas control/thermostat for the correct gas. Do not start this water heater with any gas other than the one listed on the label. If you have any questions or doubts, consult the gas supplier or gas utility company. The following Lighting Instruction label appears on the front of the water heater.

### FOR YOUR SAFETY READ BEFORE OPERATING

**WARNING:** If you do not follow these instructions exactly, a fire or explosion may result causing property damage, personal injury or loss of life.


- A. This appliance does not have a pilot. It is equipped with an ignition device which automatically lights the burner. Do not try to light the burner by hand.
- B. **BEFORE OPERATING** smell all around the appliance area for gas. Be sure to smell next to the floor because some gas is heavier than air and will settle on the floor.
- WHAT TO DO IF YOU SMELL GAS**
- Do not try to light any appliance.
  - Do not touch any electric switch; do not use any phone in your building.
  - Immediately call your gas supplier from a neighbor's phone. Follow the gas supplier's instructions.
  - If you cannot reach your gas supplier, call the fire department.
- C. Use only your hand to push in or turn the gas control switch. Never use tools. If the switch will not push in or turn by hand, do not try to repair it, call a qualified service technician. Force or attempted repair may result in a fire or explosion.
- D. Do not use this appliance if any part has been under water. Immediately call a qualified service technician to inspect the appliance and to replace any part of the control system and any gas control which has been under water.

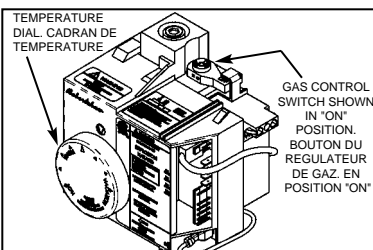
### POUR VOTRE SÉCURITÉ, LISEZ AVANT DE METTRE EN MARCHÉ

**ATTENTION:** Quiconque ne respecte pas à la lettre les instructions dans la présente notice risque de déclencher un incendie ou une explosion entraînant des dommages, des blessures ou la mort.


- A. Cet appareil ne comporte pas de veilleuse. Il est muni d'un dispositif d'allumage qui allume automatiquement la brûleur. Ne tentez pas d'allumer le brûleur manuellement.
- B. **AVANT DE FAIRE FONCTIONNER**, reniflez tout autour de l'appareil pour détecter une odeur de gaz. Reniflez près du plancher, car certains gaz sont plus lourds que l'air et peuvent s'accumuler au niveau du sol.
- QUE FAIRE SI VOUS SENTEZ UNE ODEUR DE GAZ:**
- Ne pas tenter d'allumer d'appareil.
  - Ne touchez à aucun interrupteur; ne pas vous servir des téléphones se trouvant dans le bâtiment.
  - Appelez immédiatement votre fournisseur de gaz depuis un voisin. Suivez les instructions du fournisseur.
  - Si vous ne pouvez rejoindre le fournisseur, appelez le service des incendies.
- C. Ne poussez ou tournez le manette d'admission du gaz qu'à la main; ne jamais utiliser d'outil. Si la manette reste coincée, ne pas tenter de le réparer; appelez un technicien qualifié. Le fait de forcer la manette ou de la réparer peut déclencher une explosion ou un incendie.
- D. N'utilisez pas cet appareil s'il a été plongé dans l'eau, même partiellement. Faites inspecter l'appareil par un technicien qualifié et remplacez toute partie du système de contrôle et toute commande qui ont été de plongés dans l'eau.

### OPERATING INSTRUCTIONS

1. **STOP!** Read the safety information above (to the left) on this label.
2. Set the thermostat to the lowest setting.
3. Turn off all electric power to the appliance.
4. This appliance is equipped with an ignition device which automatically lights the burner. Do not try to light the burner by hand.
5. Press gas control switch. It will automatically turn to "OFF."
6. Wait five (5) minutes to clear out any gas. Then smell for gas, including near the floor. If you then smell gas, **STOP!** Follow "B" in the safety information above (to the left) on this label. If you do not smell gas, proceed to the next step.
7. Turn gas control switch counterclockwise  to "ON".
8. Turn on all electric power to the appliance.
9. Set thermostat dial to desired setting.
10. If the appliance will not operate, follow the instructions "To Turn Off Gas To Appliance" and call your service technician or gas supplier.



### INSTRUCTIONS DE MISE EN MARCHÉ

1. **ARRÊTÉZ!** Lisez les instructions de sécurité sur la portion supérieure (à gauche) de cette étiquette.
2. Réglez le thermostat à la température la plus basse.
3. Coupez l'alimentation électrique de l'appareil.
4. Le présent appareil est muni d'allumage qui allume automatiquement la brûleur. **NE PAS TENTEZ D'ALLUMER LA BRÛLEUR MANUELLEMENT.**
5. Tourner le bouton du régulateur de gaz vers la droite jusqu'à la position "OFF".
6. Attendre cinq (5) minutes pour laisser échapper tout le gaz. Reniflez tout autour de l'appareil, y compris près du plancher, pour détecter une odeur de gaz. Si vous sentez une odeur de gaz, **ARRÊTEZ!** Passez à l'étape "B" des instructions de sécurité sur la portion supérieure (à gauche) de cette étiquette. S'il n'y a pas d'odeur de gaz, passez à l'étape suivante.
7. Tourner le bouton du régulateur de gaz vers la gauche  jusqu'à la position "ON".
8. Mettez l'appareil sous tension.
9. Réglez le thermostat à la température désirée.
10. Si l'appareil ne se met pas en marche, suivez les instructions intitulées "Comment Couper L'admission De Gaz De L'appareil" et appelez un technicien qualifié ou le fournisseur de gaz.

### TO TURN OFF GAS TO APPLIANCE

1. Set the thermostat dial to lowest setting.
2. Turn off all electric power to the appliance if service is to be performed.
3. Press gas control switch. It will automatically turn to "OFF."

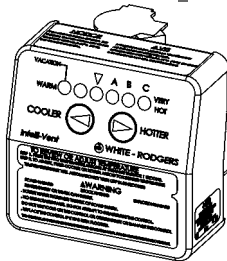
### COMMENT COUPER L'ADMISSION DE GAZ DE L'APPAREIL

1. Réglez le thermostat à la température la plus bas.
2. Coupez l'alimentation électrique de l'appareil s'il faut procéder à l'entretien.
3. Tourner le bouton du régulateur de gaz vers la droite à la position "OFF".

## Lighting Instructions (White-Rodgers)

Read and understand these directions thoroughly before attempting to operate the water heater. Make sure the viewport is not missing or damaged. Make sure the tank is completely filled with water before operating the water heater. Check the label on the front of the water heater near the gas control/thermostat for the correct gas. Do not start this water heater with any gas other than the one listed on the label. If you have any questions or doubts, consult the gas supplier or gas utility company. The following Lighting Instruction label appears on the front of the water heater.

FOR YOUR SAFETY READ BEFORE OPERATING	POUR VOTRE SÉCURITÉ LISEZ AVANT DE METTRE EN MARCHÉ
<p><b>WARNING:</b> If you do not follow these instructions exactly, a fire or explosion may result causing property damage, personal injury or loss of life.</p> <p>A. This appliance does not have a pilot. It is equipped with an ignition device which automatically lights the burner. Do not try to light the burner by hand.</p> <p>B. <b>BEFORE OPERATING</b> smell all around the appliance area for gas. Be sure to smell next to the floor because some gases are heavier than air and will settle on the floor.</p> <p><b>WHAT TO DO IF YOU SMELL GAS</b></p> <ul style="list-style-type: none"><li>Do not try to light any appliance.</li><li>Do not touch any electric switch; do not use any phone in your building.</li><li>Immediately call your gas supplier from a neighbour's phone. Follow the gas supplier's instructions.</li><li>If you can't reach your gas supplier, call fire department.</li></ul> <p>C. Use only your hand to push in the gas control buttons. Never use tools. If the control buttons will not push in by hand, do not try to repair them, call a qualified service technician. Force or attempted repair may result in a fire or explosion.</p> <p>D. Do not use this appliance if any part has been under water. Immediately call a qualified service technician to inspect the appliance and to replace any part of the control system and any gas control which has been under water.</p>	<p><b>AVERTISSEMENT:</b> Tout manquement aux présentes directives peut causer un incendie ou une explosion pouvant se traduire par des dommages matériels, des blessures ou la mort.</p> <p>A. Cet appareil ne comporte pas de veilleuse. Il est muni d'un dispositif d'allumage automatique du brûleur. Ne tentez pas d'allumer le brûleur manuellement.</p> <p>B. <b>AVANT D'UTILISER L'APPAREIL:</b> humez l'air tout autour de l'appareil afin d'y déceler une éventuelle odeur de gaz. Assurez-vous de sentir au niveau du sol, car certains gaz sont plus lourds que l'air et s'accumulent au niveau du sol.</p> <p><b>QUE FAIRE SI VOUS SENTEZ UNE ODEUR DE GAZ:</b></p> <ul style="list-style-type: none"><li>Ne pas tenter d'allumer d'appareil.</li><li>Ne touchez à aucun interrupteur; ne pas vous servir des téléphones se trouvant dans le bâtiment.</li><li>Appelez immédiatement votre fournisseur de gaz depuis un voisin. Suivez les instructions du fournisseur.</li><li>Si vous ne pouvez joindre le fournisseur, appelez le service des incendies.</li></ul> <p>C. Ne vous servez que de vos mains pour appuyer sur les boutons de réglage du gaz. N'utilisez jamais d'outil. Si vous n'arrivez pas à actionner les boutons avec vos doigts, ne tentez pas de les réparer. Faites plutôt appel à un technicien d'entretien qualifié. Le recours à la force ou une tentative de réparation infructueuse pourrait causer un incendie ou une explosion.</p> <p>D. N'utilisez pas cet appareil s'il a été plongé dans l'eau, même partiellement. Faites inspecter l'appareil par un technicien qualifié et remplacez toute partie du système de contrôle et toute commande qui ont été plongés dans l'eau.</p>
<p><b>LIGHTING INSTRUCTIONS</b></p> <ol style="list-style-type: none"><li><b>STOP!</b> Read the safety information above (to the left) on this label.</li><li>This appliance is equipped with an ignition device which automatically lights the burner. Do not try to light the burner by hand.</li><li>Turn off all electrical power to the appliance.</li><li>Wait five (5) minutes to clear out any gas. Then smell for gas, including near the floor. If you then smell gas, <b>STOP!</b> Follow "B" in the safety information above (to the left) on this label. If you do not smell gas, proceed to the next step.</li><li>Make sure that both the inner and outer doors are in place. These doors are located where the burner tube enters the water heater at the bottom. Both doors must be in place for safe operation. Fill water heater with water.</li><li>Plug in water heater to power source.</li><li>Set gas control to the desired temperature by:<ul style="list-style-type: none"><li>holding down both the "COOLER" and "HOTTER" temperature adjustment buttons at the same time for one second and release,</li><li>press the "COOLER" or "HOTTER" button repeatedly until the desired temperature is indicated by the LEDs (see instruction manual for temperature setting indicators).</li></ul></li><li>If the appliance will not operate, follow the instructions "TO TURN OFF GAS TO APPLIANCE" and call your service technician or gas supplier.</li></ol>	<p><b>INSTRUCTIONS DE MISE EN MARCHÉ</b></p> <ol style="list-style-type: none"><li><b>ARRÊTEZ!</b> Lisez les directives de sécurité sur la portion supérieure droite de cette étiquette.</li><li>Le brûleur de cet appareil est muni d'un dispositif d'allumage automatique. Ne tentez pas d'allumer le brûleur manuellement.</li><li>Coupez l'alimentation électrique de l'appareil.</li><li>Afin de laisser se dissiper tout gaz ayant pu s'accumuler, attendez cinq (5) minutes. Humez l'air tout autour de l'appareil, y compris près du plancher, afin d'y déceler une éventuelle odeur de gaz. Si vous sentez une odeur de gaz, <b>ARRÊTEZ!</b> Passez au point "B" des directives de sécurité présentées ci-dessus. Si vous ne détectez pas d'odeur de gaz, passez à la prochaine étape.</li><li>Assurez-vous que le couvercle d'accès externe soit en place et que la glissière interne soit refermée. Le couvercle et la glissière se trouvent là où le tube du brûleur se dirige sous le chauffe-eau. On doit laisser le couvercle et la glissière en place pour que l'appareil fonctionne de façon sécuritaire. Procédez au remplissage du chauffe-eau.</li><li>Alimentez le chauffe-eau en électricité.</li><li>Pour régler la commande du gaz à la température désirée:<ul style="list-style-type: none"><li>Appuyez simultanément sur les boutons d'ajustement "COOLER" et "HOTTER" pendant une seconde, et relâcher,</li><li>Appuyez de façon répétitive sur les boutons "COOLER" et "HOTTER", jusqu'à ce que la température désirée s'affiche (le manuel contient des directives sur le choix de la température de consigne).</li></ul></li><li>Si l'appareil ne se met pas en marche, suivez la directive "COMMENT COUPER L'ADMISSION DE GAZ DE L'APPAREIL" ci-dessous et appelez un technicien qualifié ou le fournisseur du gaz.</li></ol>
<p><b>TO TURN OFF GAS TO APPLIANCE</b></p> <p>Set thermostat to vacation or un-plug water heater for servicing. The Intelli-Vent™ control will remember the temperature setting. Turn off gas and water.</p>	<p><b>COMMENT COUPER L'ADMISSION DE GAZ DE L'APPAREIL</b></p> <p>Ajustez le thermostat à "Vacation" ou débranchez le chauffe-eau. La commande du gaz Intelli-Vent™ retournera à la même température de consigne lors du rebranchement de l'appareil. Fermez les robinets des canalisations du gaz et d'eau.</p>

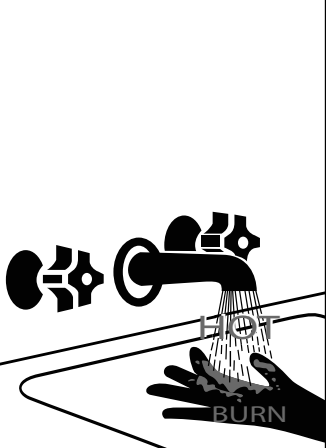


73514

## Operating The Temperature Control System

It is recommended that lower water temperatures be used to avoid the risk of scalding. It is further recommended, in all cases, that the water temperature be set for the lowest temperature which satisfies your hot-water needs. This will also provide the most energy efficient operation of the water heater.

Short repeated heating cycles caused by small hot-water uses can cause a temperature increase of the hot water by 17C° (30F°) higher than the heater's temperature settings. If you experience this type of use you should consider using lower temperature settings to reduce scald hazards.



**▲ DANGER** Water temperature over 125°F (52°C) can cause severe burns instantly resulting in severe injury or death.

Children, the elderly and the disabled and are at highest risk of scald injury.

Feel water before bathing or showering.

Temperature limiting devices such as mixing valves must be installed when required by codes and to ensure safe temperatures at fixtures.

Read instruction manual for safe temperature setting.

### HOT WATER CAN SCALD:

Water heaters are intended to produce hot water. Water heated to a temperature which will satisfy space heating, clothes washing, dish washing, and other sanitizing needs can scald and permanently injure you upon contact. Some people are more likely to be permanently injured by hot water than others. These include the elderly, children, the infirm, or physically/mentally handicapped. National plumbing code requirements limit the temperatures of certain fixtures in the home. Local codes may have additional requirements. If anyone using hot water from this heater fits into one of these groups or if there is a local code requiring certain temperature water at the hot-water tap, then you must take special precautions. In addition to using the lowest possible temperature setting that satisfies your hot-water needs, a means such as a mixing valve, should be used at the hot-water taps used by these people or at the water heater (see Figure 11 & Figure 12). Follow manufacturer's instructions for installation of the valves. Before changing the factory setting on the thermostat see Table 6 and Table 5.

The water heater should be located in an area where the general public does not have access. If a suitable area is not available, a cover should be installed over the thermostat to prevent tampering.

The water temperature setting was factory set at the lowest temperature.

This water heater is equipped with an adjustable thermostat to control water temperature. Hot water temperatures required for automatic dishwasher and laundry use can cause scald burns resulting in serious personal injury and/or death. The temperature at which injury occurs varies with the person's age and time of the exposure. The slower response time of children, aged or disabled persons increases the hazards to them. Never allow small children to use a hot-water tap, or to draw their own bath water. Never leave a child or disabled person unattended in a bathtub or shower.

Setting the water heater temperature at 49°C (120°F) will reduce the risk of scalds.

Should overheating occur or the gas supply fails to shut off, turn off the manual gas control/thermostat to the appliance.

### Gas Control/Thermostat (Robertshaw)

This heater may be equipped with a Robertshaw 2000WDER combination gas control/thermostat and a hot surface igniter. A green LED on the front of the control is used to flash a system status code indicating the operational state of the control (see Table 11).

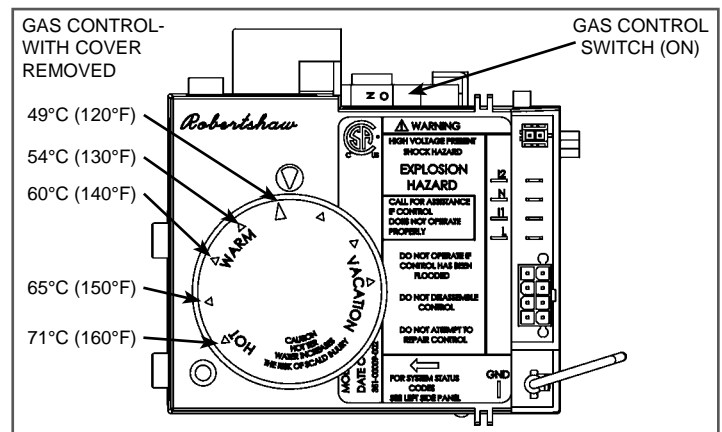


Figure 40

### Gas Control/Thermostat (White-Rodgers)

**▲ CAUTION:**

**Read before proceeding. If you do not follow these instructions exactly, a fire or explosion may result, causing property damage, personal injury or loss of life.**

Alternatively, this heater may be equipped with the White-Rodgers Intelli-Vent™ gas control/thermostat and a hot-surface igniter. This control is a combination gas valve, thermostat and ignition controller for use on this power vented water heater. The valve contains a microcomputer that supervises the ignition sequence and monitors the temperature settings and operation of the heater. The computer also monitors the flammable vapour safety features of this heater.

### Putting the Heater into Service

1. Turn the manual gas shut-off valve for the heater to the “ON” position.
2. Follow the Lighting Instructions (White-Rodgers) given on the side of the water heater and also depicted in this manual.
3. Upon start up all the indicator lights on the front of the control will come on and then turn off. This indicates that the control has completed a self-diagnostic test and is ready for operation.

**Note:** If any of the indicator lights remain on, it indicates a system fault that needs correcting. See the “System Error Codes” and “Troubleshooting Guide (White-Rodgers)” for corrective action.

### Temperature Adjustment

The control is adjusted to its lowest temperature setting (approximately 21°C (70°F)) when shipped from factory.

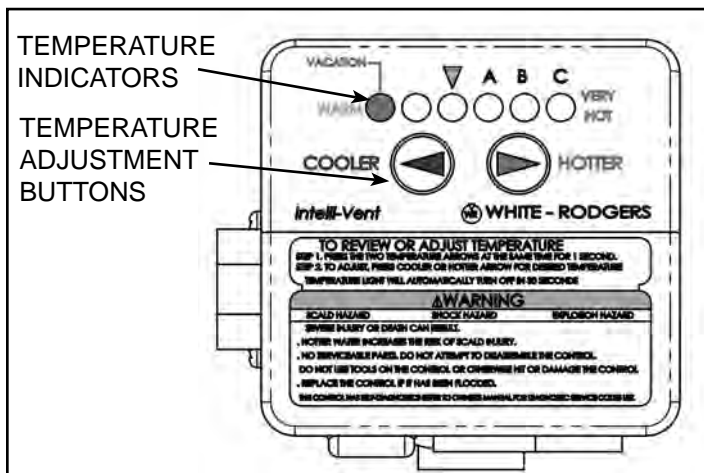


Figure 41

The temperature of the water can be selected by using the temperature adjustment buttons on the front of the gas control (see Figure 41) as follows:

1. “Wake up” the temperature indicators by holding down both the “COOLER” and “HOTTER” temperature adjustment buttons at the same time for one second. One or two of the temperature indicators will light up. After 30 seconds, if no other buttons are pushed, the control will go back to “Sleep” mode and both buttons will again have to be pressed to see the water temperature setting.
2. Release both of the temperature adjustment buttons.
3. The current water temperature setting will be indicated. See Table 5 for an explanation of the temperature indicators.
  - a. To decrease the temperature press and release the “COOLER” button once. The temperature indicators will now display the new temperature setting. Press and release the “COOLER” button until you have reached the desired setting.
  - b. To increase the temperature press and release the “HOTTER” button once. The temperature indicators will now display the new temperature setting. Press and release the “HOTTER” button until you have reached the desired setting.

**Note:** Holding down the button will not continue to change the setting. The button must be pressed and released for each temperature change desired.

**Note:** To avoid scald injury, set the control to the lowest setting that will supply the hot water for your needs. Refer to Table 5 to determine the approximate temperature setting, and the approximate time for scald injury at that temperature.

4. When you have completed setting the control wait 30 seconds for the temperature indicators go off and the control to enter “Sleep” mode.

DISPLAY	APPROXIMATE TEMPERATURE °C (°F)
	21°C (70°F) (VACATION)
	43°C (110°F)
	46°C (115°F)
	49°C (120°F)
	52°C (125°F)
	54°C (130°F)
	57°C (135°F)
	60°C (140°F)
	63°C (145°F)*
	65°C (150°F)*
	71°C (160°F)*
* These settings are not available on Hi-input models.	

Table 5

**WARNING**

**Scald burns occur in under one second with 71°C (160°F) water, which this thermostat will deliver if the temperature is set at “VERY HOT”. Lower settings of the temperature will reduce the risk of scald and will reduce your fuel bill.**

**Note:** All the temperature indicators will be off during normal operation. If any time you see the indicators on, there may be a system error and you should consult the “Troubleshooting Guide” section of this document, or contact a trained service professional.

There is a hot-water scald potential if the thermostat is set too high. In households with children, disabled or the elderly, select a lower temperature setting. Valves for reducing point-of-use temperature by mixing hot and cold water are available. Consult a licensed plumber or the local plumbing authority.

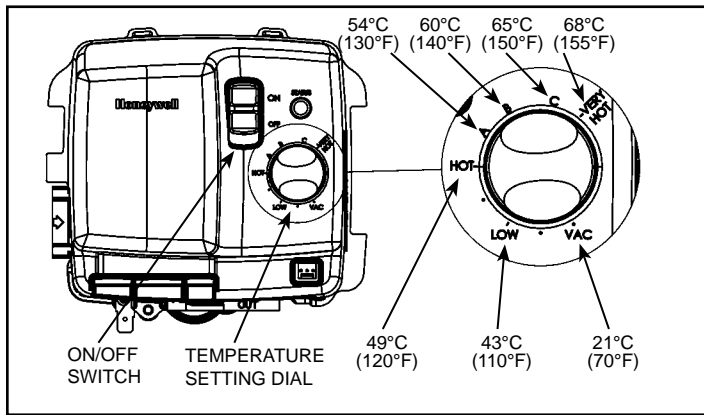


Figure 42

Temperature Dial Setting	Approximate Temperature °C (°F)	Time to induce a 2nd and 3rd Degree burn to adult skin
VERY HOT	68 (155)	Less than 1 second
C	65 (150)	Less than 3 seconds
B	60 (140)	About 5 seconds
A	54 (130)	About 30 seconds
HOT	49 (120)	More than 5 minutes
LOW	43 (110)	Normal shower temp
VAC	21 (70)	N/A

Table 6

**Note:** The temperatures indicated are approximate. The actual temperature of the heated water may vary. The Vacation Setting (VAC) sets the controller at approximately 21°C (70°F). This setting is recommended when the water heater is not in use for a long period of time. This effectively turns the controller temperature setting down to a temperature that prevents the water in the water heater from freezing while still conserving energy.

## OPERATION

### Burner Flames

Inspect the burner flames through the viewport and compare them to the drawings in Figure 43. A properly operating burner should produce a soft blue flame. Blue tips with light blue inner cones are satisfactory. The tips of the flame may have a slight yellow tint. The flame should not be all yellow or have a sharp blue-orange colour. Contaminated air may cause an orange coloured flame. Contact your Reliance service technician if the flame is not satisfactory.

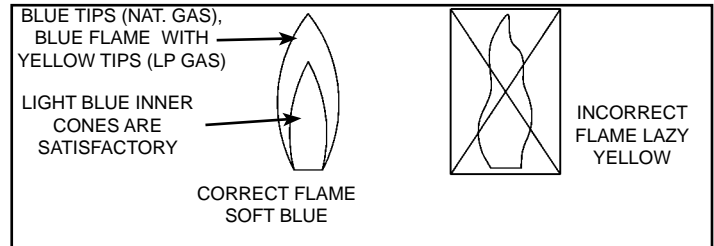


Figure 43

### Operational Conditions

#### Condensation

Moisture from the products of combustion condenses on the tank surface and forms drops of water that may fall onto the burner or other hot surfaces. This will produce a "sizzling" or "frying" noise. This condensation is normal and should not be confused with a leaking tank. Condensation may increase or decrease at different times of the year. High efficient energy saver water heaters will produce larger amounts of condensation on initial start-up or when a large amount of hot water is being used. Do not confuse this with a "tank leak". Once the water reaches operating temperature and the tank warms up (usually 1 hour), the condensation will stop.

**Important:** It is always recommended that a suitable drain pan be installed under the water heater to protect the area from water damage resulting from condensation, a leaking tank or piping connections. Refer to "Location Requirements". Under no circumstances is the manufacturer to be held responsible for any water damage in connection with this water heater.

#### Water Heater Sounds

During the normal operation of the water heater, sounds or noises may be heard. These noises are common and may result from the following:

1. Normal expansion and contraction of metal parts during periods of heat-up and cool-down.
2. Condensation causes sizzling and popping within the burner area and should be considered normal.
3. Sediment buildup in the tank bottom will create varying amounts of noise and may cause premature tank failure. Drain and flush the tank as directed under "Draining and Flushing".



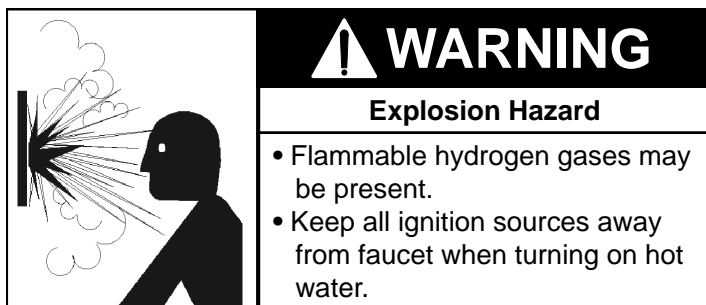
## Smoke/Odour

The water heater may give off a small amount of smoke and odour during the initial start-up of the unit. This is due to the burning off of oil from metal parts of a new unit and will disappear after a few minutes of operation.

## Anode Rod/Water Odour

Each water heater contains at least one anode rod, which will slowly deplete while protecting the glass-lined tank from corrosion and prolonging the life of the water heater. Once the anode is depleted, the tank will start to corrode, eventually developing a leak. Certain water conditions will cause a reaction between this rod and the water. The most common complaint associated with the anode rod is a "rotten egg smell" produced from the presence of hydrogen sulfide gas dissolved in the water. **Do not remove this rod permanently as it will void any warranties, stated or implied.** A special anode can be ordered if water odour or discolouration occurs. **This rod may reduce, if not eliminate, water odour problems.** The water supply system may require special filtration equipment from water conditioning company to successfully eliminate all water odour problems.

## "Air" In Hot-water Faucets

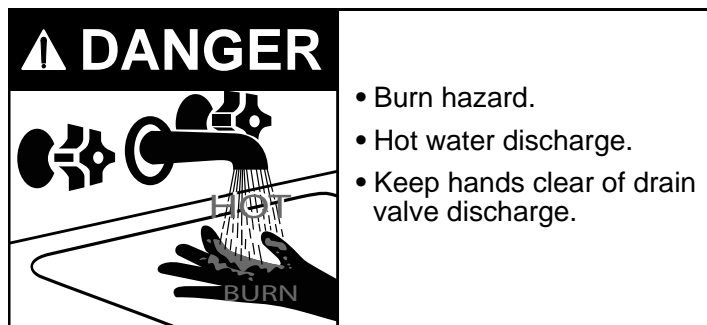


**HYDROGEN GAS:** Hydrogen gas can be produced in a hot-water system that has not been used for a long period of time (generally two weeks or more). Hydrogen gas is extremely flammable and explosive. To prevent the possibility of injury under these conditions, it is recommended that the hot-water faucet, located farthest away, be opened for several minutes before any electrical appliances which are connected to the hot-water system are used (such as a dishwasher or washing machine). If hydrogen gas is present, there will probably be an unusual sound similar to air escaping through the pipe as the hot-water faucet is opened. There must be no smoking or open flame near the faucet at the time it is open.

## MAINTENANCE

### Draining, Refilling And Flushing

Periodic draining and cleaning of sediment from the tank maybe necessary. It is recommended that the tank be drained and flushed every 6 months to remove sediment which may build up during operation. The water heater should be drained if being shut down during freezing temperatures or for an extended period of time. See "Typical Installation" section (Figure 4) in this manual for location of the water heater components described below.



#### To Drain The Water Heater Storage Tank

1. Turn the gas control/temperature knob to the "OFF" position (see Figure 42 through Figure 41).
  2. Turn "OFF" the gas supply at the manual gas shut-off valve.
  3. Close the cold water inlet valve to the water heater.
  4. Open a nearby hot water faucet and leave open to allow for draining.
  5. Connect a hose to the drain valve and terminate to an adequate drain.
- Note:** If the water heater is going to be shut down and drained for an extended period, the drain valve should be left open with hose connected allowing water to terminate to an adequate drain.
6. Open the water heater drain valve.
  7. Close the water heater drain valve when all water in the storage tank has drained.

#### To Refill The Water Heater Storage Tank

1. Close the water heater drain valve.
2. Remove the drain hose.
3. Open a nearby hot water faucet and leave open to allow air to escape.
4. Open the cold water inlet valve to the water heater.
5. To purge the lines of any excess air, keep the hot water faucet open for 3 minutes after a constant flow of water is obtained.
6. Turn "ON" the gas supply at the manual gas shut-off valve.
7. Follow the lighting instructions on the label or see "Lighting Instructions" to restart the water heater.

### To Flush The Water Heater Storage Tank

1. Turn "OFF" the gas at the manual gas shut-off valve (see Figure 4).
  2. Ensure the cold water inlet valve is open.
  3. Connect a hose to the drain valve and terminate it to an adequate drain.
  4. Ensure the drain hose is secured before and during the entire flushing procedure. Flushing is performed with system water pressure applied to the water heater.
  5. Open the water heater drain valve to flush the storage tank.
- Caution:** Water will be hot.
6. Flush the water heater storage tank to remove sediment and allow the water to flow until it runs clean.
  7. Close the water heater drain valve when flushing is completed.
  8. Remove the drain hose.
  9. Ensure the heater is full of water.
  10. Turn "ON" the gas supply at the manual gas shut-off valve.
  11. Follow the lighting instructions on the label or see "Lighting Instructions" to restart the water heater.
  12. Allow the water heater to complete several heating cycles to ensure it is operating properly.

**Caution:** Do not turn on the gas to the water heater unless the tank is full. Open a hot water faucet and allow the water to run until the air is purged and the water flows uninterrupted from the faucet.

**Important:** When operating a cold tank, condensation can occur and drip on the burner. This should not be confused with a tank leak.

### Routine Preventative Maintenance (Homeowner/User)

**Important:** If you lack the necessary skills required to properly perform this visual inspection, you should not proceed, but get help from a qualified Reliance service technician.

At least annually, a visual inspection should be made of the venting and air supply system, piping systems and main burner. Check the water heater for the following:

- Build up of soot and carbon on the main burner. Check for a soft blue flame (see Figure 43).
- Leaking or damaged water and gas piping.
- Presence of flammable or corrosive materials in the installation area.
- Presence of combustible materials near the water heater.
- Verify proper operation after any service is performed on this water heater.

### Gas Control

There are no user serviceable parts in this control. The control is supplied with tamper resistant screws. DO NOT attempt to repair or adjust the control. If you experience problems, discontinue use and replace the control immediately. Continuing to use a damaged control could result in fire and/or explosion.

If you wish to verify that the water heater is operating properly:

1. Make sure there is power to the water heater.
2. Make sure that the gas is turned on to the water heater.
3. Initiate a call for heat by either drawing hot water from a nearby faucet or raising the temperature setting (see section "Temperature Regulation").
4. If an error code appears proceed to the "Troubleshooting" section.

### Temperature and Pressure Relief Valve

 <b>WARNING</b>

<b>Explosion Hazard</b>
<ul style="list-style-type: none"><li>• <b>If the temperature and pressure relief valve is dripping or leaking, contact your qualified Reliance service technician.</b></li><li>• <b>Do not plug valve.</b></li><li>• <b>Do not remove valve.</b></li><li>• <b>Failure to follow these instructions can result in death or an explosion.</b></li></ul>

Manually operate the temperature and pressure relief valve periodically to make sure it is working properly (see Figure 44). To prevent water damage, the valve must be properly connected to a discharge line that terminates at an adequate drain. Standing clear of the outlet (discharged water may be hot), slowly lift and release the lever handle on the temperature and pressure relief valve to allow the valve to operate freely and return to its closed position. If the valve fails to completely reset and continues to release water, immediately shut off the manual gas valve and the cold-water inlet valve and call your qualified Reliance service technician.

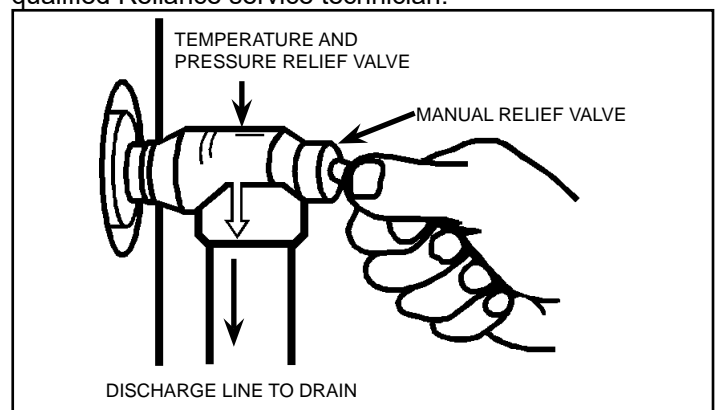


Figure 44

### Burner Operation and Inspection

At least once a year a visual inspection should be made of the main burner and the hot surface igniter assembly for proper flame characteristics and ignition sequences. This can be done by removing the outer door and viewing the main burner operation through the viewport on the inner door (see Figure 4). The main burner should provide complete combustion

of gas, ignite rapidly, give reasonably quiet operation, and cause no excessive flame lifting from the burner ports. If the proper flame characteristics are not evident (see Figure 43), make sure that the flow of combustion and ventilation air is not blocked.

You should also check for sooting. Soot is not normal and will impair proper combustion. A visual inspection of the main burner and hot surface igniter should also be done at least once a year (see Figure 45).

Soot build-up indicates a problem that requires correction before further use. Turn "OFF" gas to water heater by unplugging the power cord and leave off until repairs are made. Failure to correct the cause of the sooting can result in a fire causing death, serious injury, or property damage.

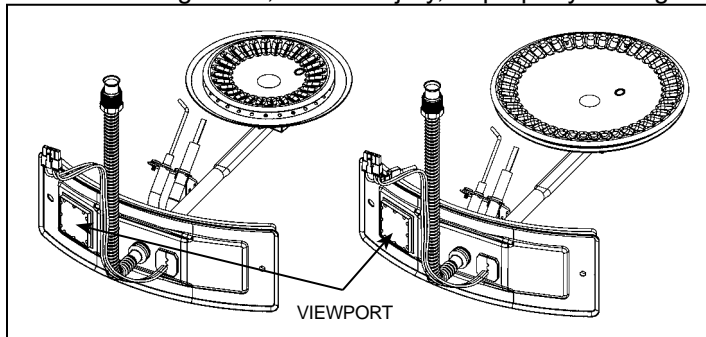




Figure 45

### Burner Cleaning

In the event your burner or burner air openings require cleaning, turn the gas control/thermostat switch to the "OFF" position and unplug the blower and allow the burner to cool. Call your Reliance service technician to remove and clean the burner and correct the problem that required the burner to be cleaned.

### Housekeeping

 <b>DANGER</b>	
	<b>Fire and Explosion Hazard</b>
	<ul style="list-style-type: none"> <li>• Do not obstruct combustion air openings at the bottom of the water heater.</li> <li>• Do not use or store flammable vapor products such as gasoline, solvents or adhesives in the same room or area near water heater or other appliance.</li> <li>• Can cause serious injury or death.</li> </ul>

#### INSTALLED IN SUITABLE AREA:

To ensure sufficient ventilation and combustion air supply, proper clearances from the water heater must be maintained. See "Locating the New Water Heater" section. Combustible materials such as clothing, cleaning materials, or flammable liquids, etc. must not be placed against or adjacent to the water heater which can cause a fire.

### Anode Rod Inspection

Each water heater contains at least one anode rod, which will slowly deplete (due to electrolysis) prolonging the life of the water heater by protecting the glass-lined tank from corrosion. Adverse water quality, hotter water temperatures, high hot water usage, hydronic heating devices, and water softening methods can increase the rate of anode rod depletion. Once the anode rod is depleted, the tank will start to corrode, eventually developing a leak. Certain water conditions will cause a reaction between the anode rod and the water. The most common complaint associated with the anode rod is a "rotten egg smell" produced from the presence of hydrogen sulfide gas dissolved in the water.

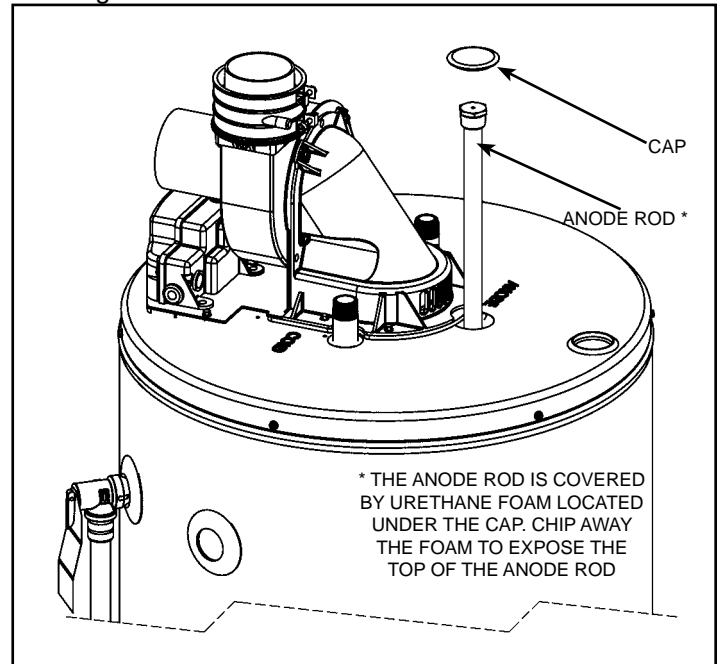


Figure 46

**Important:** Do not remove this anode rod permanently as it will void any warranties. A special anode rod may be available if water odour or discolouration occurs.

**Note:** This anode rod may reduce but not eliminate water odour problems. The water supply system may require special filtration equipment from a water conditioning company to successfully eliminate all water odour problems.

Artificially softened water is exceedingly corrosive because the process substitutes sodium ions for magnesium and calcium ions. The use of excessively soft water may decrease the life of the water heater tank.

The anode rod should be inspected after a maximum of three years and annually thereafter until the condition of the anode rod dictates its replacement. The anode may need to be inspected more often in areas of hard water or highly conductive water. NOTE: Artificially softened water may require the anode rod to be inspected annually.

The following are typical (but not all) signs of a depleted anode rod (see Figure 47):

- The majority of the anode rod's diameter is less than 3/8".
- Significant sections of the support wire (approx. 1/3 or more of the anode rod's length) are visible.

If the anode rod show signs of either or both it should be replaced.

**Note:** Whether re-installing or replacing the anode rod, check for any leaks and immediately correct if found.

#### To Remove the Anode Rod

1. Turn gas control switch to the “OFF” position (see Figure 42 (Honeywell) or Figure 40 (Robertshaw)) and turn “OFF” the gas supply to the unit.

**Note:** The White-Rodgers Intelli-Vent™ gas control/thermostat does not have a gas control switch.

2. Disconnect the water heater from the electrical power at the wall outlet (all gas control/thermostat models).
3. Shut off the incoming water supply to the water heater and open a nearby hot-water faucet to depressurize the water tank.
4. Connect a hose to the drain valve and terminate it to adequate drain or to the exterior of the building. Open the drain valve and allow at least 5 gallons of water from the tank to drain. Close drain and remove hose.
5. Remove the anode cap on top of the heater and remove just enough insulation so you can access to the anode head (Figure 46). Keep in a safe place for reinstallation later.
6. Remove the anode rod by using a ratchet and a 1-1/16” socket turning counter-clockwise (Figure 46).

#### To Install the Anode Rod

1. Use Teflon® tape or an approved pipe sealant on threads of the new anode rod.
2. Place the anode rod in the spud (top of the tank) and turn clockwise until the threads are hand tight. Using a ratchet and 1-1/16” socket tighten down water tight.
3. Open a nearby hot-water faucet to purge air from the water line. Fill water heater tank completely (Note: To assure the water heater tank is full, keep the hot-water faucet open for 3 minutes after a constant flow of water is obtained).
4. After turning off the hot-water faucet, check for water leaks around anode rod and immediately correct any if found.
5. Reinstall the insulation and anode cap which were removed in step 6 above.
6. Reconnect the water heater to the electrical power at the wall outlet and turn “ON” the gas supply to the gas control/thermostat.
7. Turn the gas control switch to the “ON” position (Figure 42 (Honeywell) or Figure 40 (Robertshaw)).

**Note:** The White-Rodgers Intelli-Vent™ gas control/thermostat does not have a gas control switch.

8. To restart the water heater, follow the directions on the “Lighting and Operating Instructions” label located on the front of the water heater near the gas control/thermostat. See the “Repair Parts Illustration” for anode rod location.

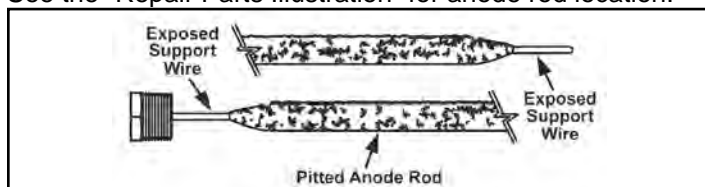


Figure 47

## Venting System and Blower

### **WARNING**

**Keep the area around the heater clear and unobstructed.**

Inspect the venting system periodically to make certain that the vent passageways, vent terminal and blower assembly are free and unobstructed. Ensure that any condensate is draining freely. Clean as necessary.

- Inspect the vent piping, elbows and connections for signs of stress cracking or deterioration. Make certain the venting is free to move and that all pipe hangers and isolation supports are properly positioned and securely attached. Any broken components or installation problems should be corrected by a qualified Reliance service technician.
- Particles, especially lint, can clog the vent blower wheel. This can be problematic, especially where condensation is present, as particles may adhere to the venting surfaces. These conditions can result in nuisance failures. In areas that have a high level of airborne particulate (e.g. lint, sawdust, process smoke, laundry areas, etc.) inspection and cleaning may need to be done more frequently. The blower wheel and venting must be cleaned as required to ensure proper performance. This must be done by a qualified Reliance service technician.
- Inspect the flue collector area for signs of corrosion (see Figure 48). This can be an indication of contaminated air, a wet environment, poor burner set up, or high levels of condensation occurring at the flue collector. Determine and correct any poor operating conditions.

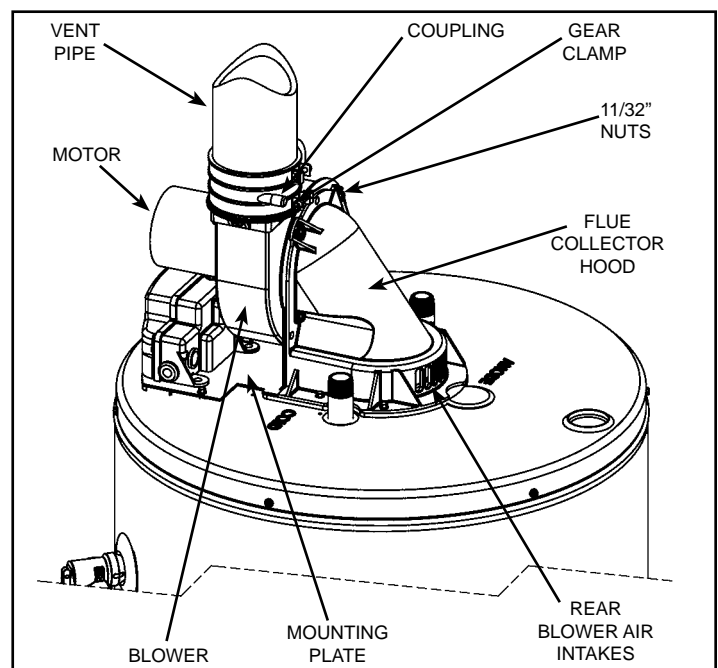


Figure 48

## COMBO HEATING

This section serves as a guide for the installation and use of "Combo" heating systems utilizing a domestic water heater that has been specifically approved for such use. It is written for those knowledgeable in the required trades and professionals involved in the design and installation of Combo Heating Systems.

It is the responsibility of the installer/designer to follow all applicable codes to ensure the effectiveness and safety of the installation.

### System Requirements

This water heater is suitable for combination water (potable) heating and space heating but not for space heating only.

The following requirements must be met for the installation of Combo Heating Systems:

1. All components used for the distribution of water in the heating loop must be suitable for potable water. These include all piping, fittings, solder and fluxes, pumps for circulation of water, valves, etc.
2. The water heater must not be connected to a hydronic heating system that has been used previously.
3. No boiler treatment chemicals of any kind shall be introduced into the system.
4. The Combo System components must be selected and sized to meet and maintain the total calculated demands for both domestic service hot water and space heating requirement. The sizing and installation must be performed in accordance with good engineering practice such as "**ASHRAE Handbooks**", "**HRAI's Unified Combo Guidelines**", "**Hydronics Institute Manuals**", "**B149.1**", "**ANSI Z223.1**", "**CSA F280**", "**National/Provincial Building Codes**", "**C22.1**", "**ANSI**", "**CSA B51**" and/or codes having jurisdiction.
5. The air handler (fan coil) and/or the circulating pump in a baseboard hydronic loop will require a dedicated 120V circuit. This must be provided and identified for this purpose.
6. All piping between the water heater and the air handler or hydronic baseboard loop must be adequately insulated to reduce heat loss.
7. If the local jurisdiction requires a back-flow preventer in the cold water line, an expansion tank of adequate size must be installed.
8. "Combo" Heating Systems require higher water temperatures than other applications. When the system is used to supply water for Combo Heating applications, a means, such as mixing valve, must be installed to temper the water in order to reduce scald hazard potential (see Figure 49 & Figure 50).

### Installation

The heating mode may be one of the following options:

- A. A fan coil/air handler (Figure 49).
- B. A hydronic baseboard (finned tube) loop/In floor heating (Figure 50).

The following is a list of requirements for the installation of option A or B.

1. Install shut-off valves and unions so that the water heater can be isolated from the heating module should servicing of the water heater become necessary.
2. Install a drain valve at the lowest point of the heating loop so that water can be drained from the heating module without affecting the water heater.
3. If the air handler does not have a venting means at the highest point of the piping arrangement, install an air bleed at the highest point of the plumbing arrangement.
4. A properly-sized thermal expansion tank should be installed on all closed systems to control the harmful effects of thermal expansion. Contact a plumbing service agency or your retail supplier regarding the installation of a thermal expansion tank.

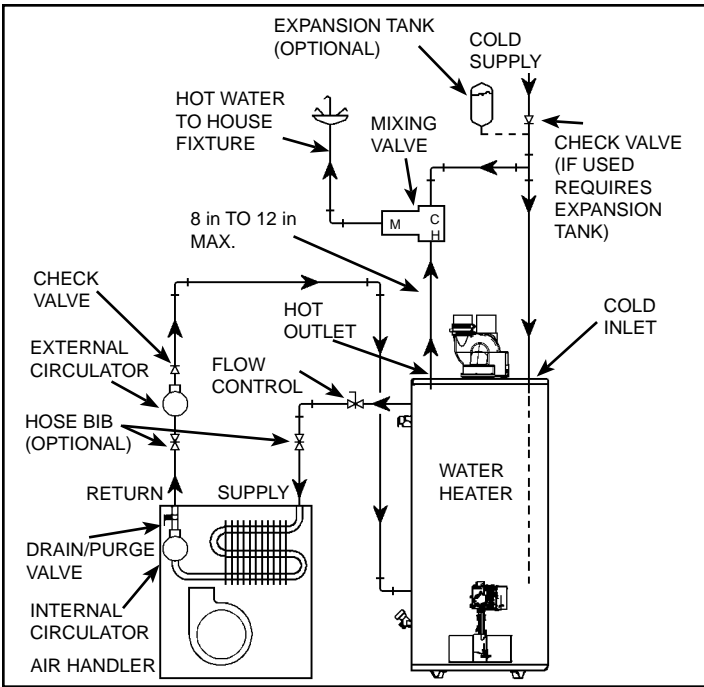


Figure 49

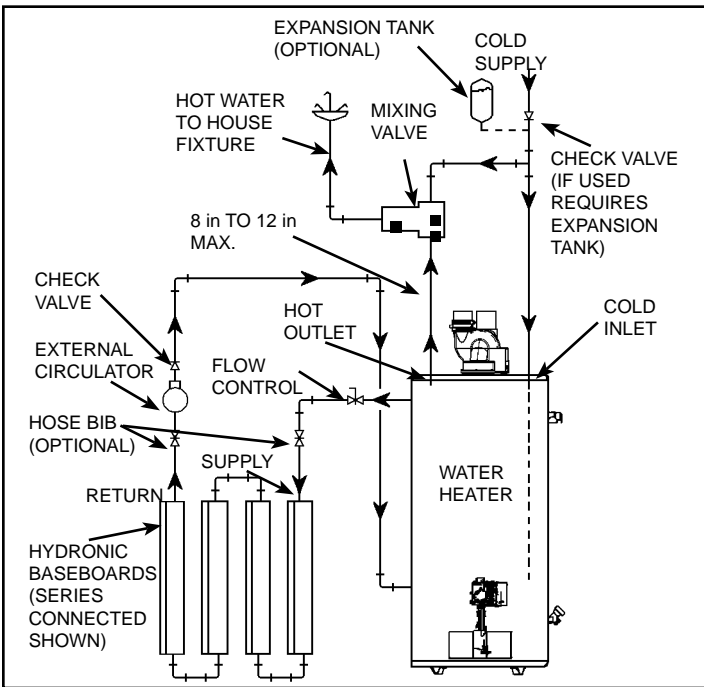


Figure 50

## TROUBLESHOOTING GUIDE

These guidelines should be utilized by a qualified Reliance service technician or agent.

Problem	Possible Cause(s)	Corrective Action
BURNER FLAME TOO HIGH	<ol style="list-style-type: none"> <li>1. Air inlets blocked</li> <li>2. Insufficient secondary air</li> <li>3. Orifice too large</li> </ol>	<ol style="list-style-type: none"> <li>1. Unblock inlet air openings</li> <li>2. Provide ventilation to water heater</li> <li>3. Replace with correct orifice</li> </ol>
FLAME BURNS AT ORIFICE	<ol style="list-style-type: none"> <li>1. Low gas pressure</li> <li>2. Defective gas control/thermostat</li> </ol>	<ol style="list-style-type: none"> <li>1. Check with gas utility company</li> <li>2. Replace gas control/thermostat</li> </ol>
INSUFFICIENT HOT WATER	<ol style="list-style-type: none"> <li>1. Low gas pressure</li> <li>2. Orifice too small</li> <li>3. Thermostat set too low</li> <li>4. Gas control error codes</li> <li>5. Sediment or lime in tank</li> <li>6. Water heater too small</li> <li>7. Wrong piping connections</li> <li>8. Leaking faucets</li> <li>9. Wasted hot water</li> <li>10. Long runs of exposed piping</li> <li>11. Hot-water piping in outside wall</li> </ol>	<ol style="list-style-type: none"> <li>1. Check with gas utility company</li> <li>2. Replace with correct orifice</li> <li>3. Turn temperature knob to higher setting</li> <li>4. Refer to gas control error codes</li> <li>5. Drain/flush-provide water treatment if needed</li> <li>6. Install adequate heater</li> <li>7. Correct piping: dip tube must be in cold inlet</li> <li>8. Repair faucets</li> <li>9. Advise customer</li> <li>10. Insulate piping</li> <li>11. Insulate piping</li> </ol>
WATER IS TOO HOT	<ol style="list-style-type: none"> <li>1. Thermostat is too high</li> <li>2. Defective gas control/thermostat</li> </ol>	<ol style="list-style-type: none"> <li>1. Turn temperature knob to lower setting</li> <li>2. Replace the gas control/thermostat</li> </ol>
SLOW HOT WATER RECOVERY	<ol style="list-style-type: none"> <li>1. Insufficient secondary air</li> <li>2. Low gas pressure</li> <li>3. Orifice too small</li> <li>4. Thermostat set too low</li> <li>5. Heater too small</li> <li>6. Wrong piping connection</li> <li>7. Wasted hot water</li> <li>8. Flue clogged</li> <li>9. Air inlets blocked</li> </ol>	<ol style="list-style-type: none"> <li>1. Provide ventilation to water heater. Check flue way, flue baffle and burner</li> <li>2. Check with gas utility company</li> <li>3. Replace with correct orifice</li> <li>4. Turn temperature knob to higher setting</li> <li>5. Install adequate heater</li> <li>6. Correct piping-dip tube must be in cold inlet</li> <li>7. Advise customer</li> <li>8. Clean flue, locate source and correct</li> <li>9. Unblock inlet air openings</li> </ol>
DRIP FROM RELIEF VALVE	<ol style="list-style-type: none"> <li>1. Pressure build-up</li> <li>2. Heater stacking</li> <li>3. Closed water system</li> <li>4. Improperly seated valve</li> </ol>	<ol style="list-style-type: none"> <li>1. Use a pressure-reducing valve and relief valve</li> <li>2. Lower the thermostat setting</li> <li>3. See thermal expansion section</li> <li>4. Check Relief valve for proper operation (Do Not plug T&amp;P valve)</li> </ol>
GAS CONTROL VALVE/ THERMOSTAT FAILS TO SHUT OFF	<ol style="list-style-type: none"> <li>1. Defective gas control/thermostat</li> </ol>	<ol style="list-style-type: none"> <li>1. Replace gas control/thermostat</li> </ol>
SMELLY WATER	<ol style="list-style-type: none"> <li>1. Sulfides in water supply</li> <li>2. Bacteria in water supply</li> <li>3. Standard anode incompatible with water composition</li> </ol>	<ol style="list-style-type: none"> <li>1. Chlorination procedure</li> <li>2. Chlorination procedure</li> <li>3. Install special anode</li> </ol>
CONDENSATION	<ol style="list-style-type: none"> <li>1. Filling the new water heater for the first time</li> <li>2. Moisture from the products of combustion</li> <li>3. Water dripping from blower assembly</li> <li>4. Undersized water heater</li> </ol>	<ol style="list-style-type: none"> <li>1. Normal operation: the condensation should disappear after heater warms up</li> <li>2. Normal operation: the condensation should disappear in time</li> <li>3. Install condensate hose to drain port on the rubber coupling</li> <li>4. Install adequate heater</li> </ol>

<b>Problem</b>	<b>Possible Cause(s)</b>	<b>Corrective Action</b>
COMBUSTION ODOURS	<ol style="list-style-type: none"> <li>1. Air inlets blocked</li> <li>2. Insufficient secondary air</li> <li>3. Flue clogged</li> <li>4. Heater installed in a confined area</li> <li>5. House too tight</li> </ol>	<ol style="list-style-type: none"> <li>1. Unblock inlet air openings</li> <li>2. Provide fresh air ventilation to the water heater</li> <li>3. Clean, locate source and correct</li> <li>4. Provide fresh air ventilation to the water heater</li> <li>5. Provide fresh air ventilation to the water heater</li> </ol>
SMOKING AND CARBON FORMATION	<ol style="list-style-type: none"> <li>1. Air inlets blocked</li> <li>2. Insufficient secondary air</li> <li>3. Low gas pressure</li> <li>4. Orifice too large</li> <li>5. Flue clogged</li> <li>6. Defective gas control/thermostat</li> <li>7. Heater installed in a confined area</li> </ol>	<ol style="list-style-type: none"> <li>1. Unblock inlet air openings</li> <li>2. Provide ventilation to water heater. Check flue way, flue baffle and burner</li> <li>3. Check with gas utility company</li> <li>4. Replace with correct orifice</li> <li>5. Clean, locate source and correct</li> <li>6. Replace gas control/thermostat</li> <li>7. Provide fresh air ventilation</li> </ol>
UNABLE TO LIGHT THE BURNER	<ol style="list-style-type: none"> <li>1. Air in gas line</li> <li>2. Pressure switch</li> <li>3. Blocked exhaust</li> <li>4. Wire connection</li> <li>5. Defective gas control/thermostat</li> <li>6. Defective igniter</li> </ol>	<ol style="list-style-type: none"> <li>1. Purge the air from gas line</li> <li>2. Check the pressure switch, make sure the pressure switch hose is not kinked</li> <li>3. Check vent pipe for blockage</li> <li>4. Check wire connections</li> <li>5. Replace the gas control/thermostat</li> <li>6. Replace igniter</li> </ol>
SIZZLING, RUMBLING NOISE	<ol style="list-style-type: none"> <li>1. Scale and sediment</li> <li>2. Condensation dripping on burner</li> </ol>	<ol style="list-style-type: none"> <li>1. Drain/flush-provide water treatment if needed</li> <li>2. Refer to "Condensate" section</li> </ol>
WATER LEAKAGE	<ol style="list-style-type: none"> <li>1. Condensation</li> <li>2. Dripping Temperature &amp; Pressure Relief Valve</li> <li>3. Thermostat does not shut-off</li> <li>4. Drain valve dripping/leaking</li> <li>5. Tank Leak</li> </ol>	<ol style="list-style-type: none"> <li>1. Refer to "Condensate" section</li> <li>2. Refer to "Temperature &amp; Pressure Relief Valve" section</li> <li>3. Check the Thermostat</li> <li>4. Back flush to clean- out sediment, replace if necessary.</li> <li>5. Check "Leakage Checkpoints"</li> </ol>
BLOWER WILL NOT START	<ol style="list-style-type: none"> <li>1. No power to unit</li> <li>2. Thermostat set too low</li> <li>3. Defective air pressure switch</li> <li>4. Defective blower</li> <li>5. Disconnected or loose wire</li> <li>6. Control locked out</li> <li>7. Incorrect polarity</li> </ol>	<ol style="list-style-type: none"> <li>1. Plug in power cord, check fuses and/or supply voltage</li> <li>2. Turn temperature knob to higher setting</li> <li>3. Replace air pressure switch</li> <li>4. Replace blower</li> <li>5. Repair and reconnect wires</li> <li>6. Reset – determine cause of lockout</li> <li>7. Repair polarity</li> </ol>
BLOWER RUNS CONTINUOUSLY	<ol style="list-style-type: none"> <li>1. Air pressure switch not closing due to insufficient draft – check for:</li> <li>2. Vent piping blocked</li> <li>3. Piping length too long</li> <li>4. Clogged/dirty blower</li> <li>5. Disconnected, torn or blocked pressure switch hose from air pressure switch to blower housing</li> <li>6. Defective pressure switch</li> <li>7. High limit switch open due to excessive vent temperature or defective switch</li> </ol>	<ol style="list-style-type: none"> <li>1. Determine cause of insufficient draft. Check draft with manometer at pressure switch</li> <li>2. Remove blockage</li> <li>3. Reduce vent length/increase vent size</li> <li>4. Clean blower wheel</li> <li>5. Reconnect or replace pressure switch hose</li> <li>6. Replace defective pressure switch</li> <li>7. Determine cause of overheating check for: overfiring, insufficient air supply, high ambient air temperature (once high limit switch activated, must be replaced)</li> </ol>



Problem	Possible Cause(s)	Corrective Action
HOT SURFACE IGNITER NOT GLOWING FOLLOWING WARM-UP PERIOD	<ol style="list-style-type: none"> <li>1. 120VAC polarity reversed at 120VAC outlet receptacle</li> <li>2. Defective hot surface igniter</li> <li>3. Defective gas control/thermostat</li> </ol>	<ol style="list-style-type: none"> <li>1. Reverse polarity at 120VAC outlet receptacle</li> <li>2. Replace igniter</li> <li>3. Replace gas control/thermostat</li> </ol>
VENT PIPE TOO HOT (ABOVE 149°F)	<ol style="list-style-type: none"> <li>1. Blower does not run when heater fired</li> <li>2. Not enough dilution air to mix with flue gases</li> <li>3. Air in room too hot for mixing with flue gases</li> <li>4. Wrong burner orifice</li> <li>5. Baffle incorrect or missing</li> </ol>	<ol style="list-style-type: none"> <li>1. Refer to "BLOWER WILL NOT START" problem</li> <li>2. Proper air circulation must be provided for combustion and dilution of flue temp</li> <li>3. Room air to be used for dilution with combustion products in flue should be less than 90°F</li> <li>4. Install correct orifice.</li> <li>5. Contact Reliance Home Comfort</li> </ol>

## Ignition State and Timing

Honeywell

Ignition State	Timing
Pre-purge	5 seconds (NG models)
	15 seconds (LP models)
HSI Warmup	10 seconds
Ignition Activation Period (IAP)	3.5 seconds maximum
Flame Recognition Period (FRP)	0.5 second
Trial For Ignition	IAP + FRP
Flame Stabilization Period	Not Applicable
Inter-purge	30 seconds
Flame Failure Response Time	2 seconds max (@ 1uA flame current)
Post-purge	30 seconds
PS Prove Period	2 minutes
PS Fault Delay (failed open/closed)	2 minutes
Soft Lockout	20 minutes
Energy Cut Off (ECO) Limit Lockout	Indefinite
Flammable Vapour Sensor Lockout	Indefinite (follow defined procedure to restart)
Hardware Fault Lockout	Indefinite (clear fault to restart in 15 seconds or less)

Table 7

Robertshaw

Ignition State And Settings	Timing/Temperature Setting/Trials
Temperature differentials (factory pre-set)	15°F
Temperature set point range	95 - 158°F
Flame Establishing Period	2 Seconds
Flame Failure Response Time	0.6 Seconds
Recycle Time	30 Seconds
Lockout Time	63 + 2 Seconds (inter-purge time + pre-purge time)
Pressure switch short cycle	9 Seconds
Pressure switch long cycle	12 Seconds
Pre-purge time (factory pre-set)	0 Seconds
Inter-purge Time	30 Seconds
Ignition Activation Period	1 Second
Trial for Ignition Period	4 Seconds
Valve Sequence Period (Gas Valve on for initial attempt plus 2 retries)	12 Seconds
Automatic Restart Time	20 Minutes
Number of ignition trials	3
Number of re-cycles during single "Call for Heat"	3

Table 8

White-Rodgers

Ignition State	Timing
Pre-purge	5 seconds
Igniter Warmup	10 seconds
Trial For Ignition	4 seconds
Inter-purge	5 seconds
Flame Failure Response Time	2 seconds
Post-purge	30 seconds
Ignition Retries	2 retries, 3 trials before Lockout
Ignition Recycles	2 recycles, 3 losses of flame before lockout
Soft Lockout	20 minutes
Automatic Restart Time	60 minutes

Table 9

System Error Codes (Honeywell & Robertshaw)  
 The micro-controller inside the gas control monitors the flammable vapour safety features, the ignition sequence, temperature settings and overall operation of the heater. If any of these parameters does not operate properly the controller will shut down the water heater, diagnose the failure and flash an error code. Table 10 lists the System Status Codes for the Honeywell control, Table 11 lists the System Status Codes for the Robertshaw control. Refer to Table 10 and Table 11 and to the "Troubleshooting Guide" to diagnose the problem before attempting corrective action. See also "Flammable Vapour Sensor" and "Resettable Lockout".

Troubleshooting Chart - User Control (Honeywell)

LED Flash Sequence	Control Status
Short flash once every four seconds	IDLE (no call for heat, no fault conditions)
"Heartbeat", alternates bright/dim	Call For Heat (no fault conditions)
One Flash, three second pause	Low Flame Signal (control continues to operate)
Two Flash, three second pause	Pressure Switch Failed Closed
Three Flash, three second pause	Pressure Switch Failed Open
Four Flash, three second pause	ECO (Energy Cut Off) Limit Lockout thermostat temperature limit was exceeded.
Five Flash, three second pause	Flame Out Of Sequence
Six-One Flash, three second pause	Soft Lockout - Retry Limit - Failed TFI
Six-Two Flash, three second pause	Soft Lockout - Recycle Limit - PS/Limit opened
Six-Three Flash, three second pause	Soft Lockout - Recycle Limit - Flame Lost
Six-Four Flash, three second pause	Soft Lockout - Flame out of Sequence Sensed
Seven Flash, three second pause	Flammable Vapour Sensor Lockout
Eight-One Flash, three second pause	FVS Fault Detected
Eight-Two Flash, three second pause	Temperature Sensor Fault Detected
Eight-Three Flash, three second pause	Electronics Fault Detected
Eight-Four Flash, three second pause	Valve Fault Detected

Table 10

Troubleshooting Chart - User Control (Robertshaw)

System Status Codes			
Steady ON		Control Failure or Miswiring.*	
Slow Flash		Water Heater is in Stand-by Mode.	
Fast Flash		Water Heater is in Heat Mode.	
1 flash	Pause for 1 second	1 flash	Pause for 3 seconds & repeat
2 flashes		1 flash	
2 flashes		3 flashes	
3 flashes		1 flash	
3 flashes		3 flashes	
4 flashes		1 flash	
4 flashes		2 flashes	
4 flashes		3 flashes	
5 flashes	-	-	-
* System lock out. Call your service provider for assistance. ** Excessive moisture on the gas control/thermostat. *** System interruption/safety shutdown. Resettable lock out condition.			

Table 11

## System Error Codes (White-Rodgers)

The computer inside the gas control monitors the ignition sequence, temperature settings and overall operation of the heater. If any of these parameters does not operate properly the computer will shut down the water heater and flash an error code. See the "Intelli-Vent™ System Error Codes" and "Troubleshooting Guide" to diagnose the problem before attempting corrective action.

### Intelli-Vent™ System Error Codes

Symptom	Possible Cause(s)	Corrective Action
<p>Error 1</p>	An open earth ground circuit to the ignition system.	<ol style="list-style-type: none"> <li>1. Check that the earth ground conductor is properly connected at the fuse box or breaker panel and the water heater.</li> <li>2. Check that the grounding conductors on the water heater are properly connected and secure.</li> </ol>
<p>Error 2</p>	The self diagnostic test detected a wiring error, reversed polarity or a high resistance to earth ground.	<ol style="list-style-type: none"> <li>1. Check for proper connection of the line neutral and line hot wires.</li> <li>2. Check that the appliance is securely connected to earth ground.</li> </ol>
<p>Error 3</p>	The pressure switch remained closed longer than 5 seconds after the call for heat began. Blower does not start.	<ol style="list-style-type: none"> <li>1. The pressure switch wiring is incorrect.</li> <li>2. The pressure switch is defective and must be replaced.</li> </ol>
<p>Error 4</p>	The pressure switch remained open longer than 5 seconds after the combustion blower was energized.	<ol style="list-style-type: none"> <li>1. The pressure switch wiring is incorrect.</li> <li>2. The pressure switch tubing is not connected correctly.</li> <li>3. Obstructions or restrictions in the water heater air intake or exhaust flue.</li> <li>4. Check the high temperature limit switch.</li> </ol>
<p>Error 5</p>	The self diagnostic test has detected an error in the hotsurface igniter circuit.	<ol style="list-style-type: none"> <li>1. Check that all wiring is correct and secure.</li> <li>2. Disconnect the igniter connector and measure the igniter resistance with an accurate ohmmeter between pins 1 and 2. Resistance should be between 11.5 and 18.8 ohms. If the reading is incorrect, replace the hot-surface igniter.</li> <li>3. If the above checks are good, replace the control.</li> </ol>
<p>Error 6</p>	The maximum number of ignition retries or recycles has been reached and the system is in lockout for an hour. Cycle the power to the water heater off and on to reset.	<ol style="list-style-type: none"> <li>1. Ensure the igniter is positioned correctly.</li> <li>2. Ensure the voltage to the water heater is 115-125 VAC.</li> <li>3. Clear any obstructions or restrictions in the water heater air intake or exhaust flue.</li> </ol>
<p>Error 7</p>	The self-diagnostic test found a problem with the gas valve driver circuit.	<ol style="list-style-type: none"> <li>1. Cycle power to the water heater "OFF" for 10 seconds and then back "ON".</li> <li>2. If the above step did not clear the error, the control must be replaced.</li> </ol>
<p>Error 8</p>	The self-diagnostic test has detected a problem with the internal microcomputer.	<ol style="list-style-type: none"> <li>1. Cycle the external power "OFF" for 10 seconds and then back "ON".</li> <li>2. If the above step does not clear the error, the control must be replaced</li> </ol>
<p>Error 9</p>	The self-diagnostic test has detected a problem with the internal circuit.	<ol style="list-style-type: none"> <li>1. Cycle the external power "OFF" for 10 seconds and then back "ON".</li> <li>2. If the above step does not clear the error, the control must be replaced.</li> </ol>
<p>Error 10</p>	Flame signal sensed out of proper sequence.	<ol style="list-style-type: none"> <li>1. Ensure flame sensor ceramic insulator is not cracked.</li> <li>2. Turn power off for 10-20 seconds, and then on again to clear the error code.</li> <li>3. Replace the control.</li> </ol>

Table 12




Symptom	Possible Cause(s)	Corrective Action
Error 11 	The high temperature thermal cutoff is open.	<ol style="list-style-type: none"> <li>1. Turn the power off for 10-20 seconds then on again to clear the error code.</li> <li>2. Replace the control.</li> </ol>
Error 12 	The self-diagnostic test has detected one of the temperature adjust buttons stuck closed.	<ol style="list-style-type: none"> <li>1. Make sure that there are no objects leaning against the front of the control.</li> <li>2. Lightly press and release each of the buttons once.</li> <li>3. If the above actions do not clear the error, the control will continue to regulate water temperature at the last setting, but you will not be able to change settings unless you replace the control.</li> </ol>
Error 13 	The self-diagnostic test has detected that the water temperature sensor is either open or short circuited.	<ol style="list-style-type: none"> <li>1. Turn the power off for 10-20 seconds then on again to clear this error code.</li> <li>2. If no wiring problems are found the control must be replaced.</li> </ol>

Table 12

## REFERENCE PARTS

### Reference Parts Listing

Replacement parts may be ordered through your plumber or the local distributor. When ordering replacement parts, always have the following information ready:

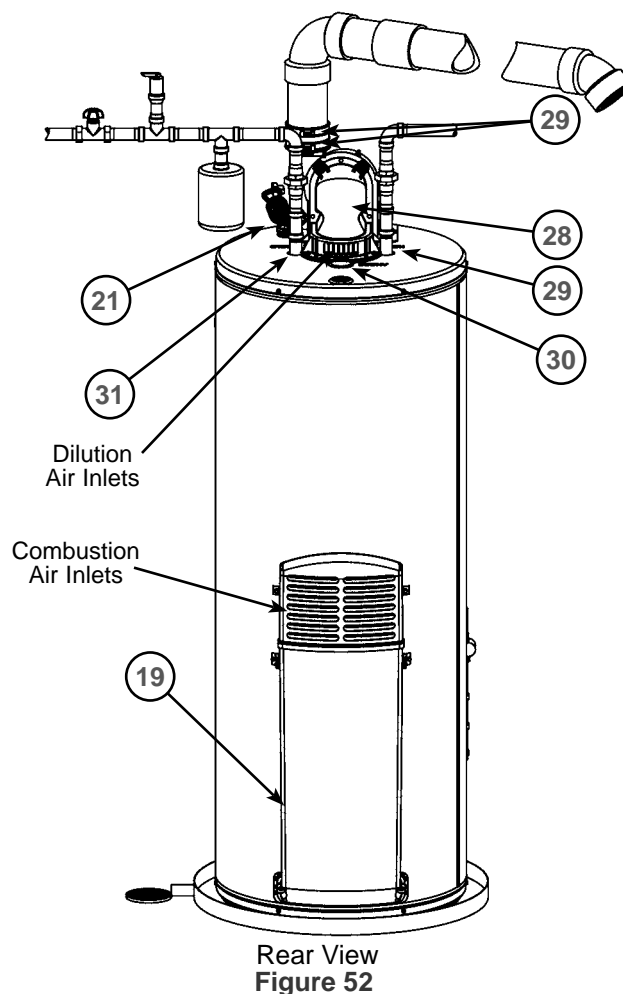
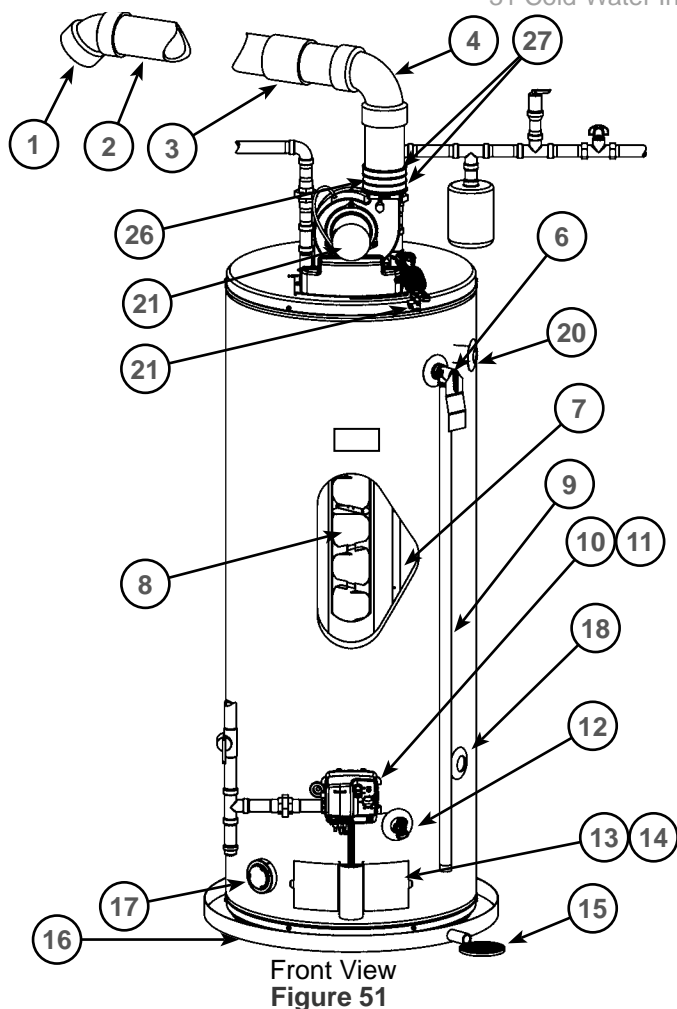
1. Model, Serial and Catalogue (SKU) number
2. Type of gas
3. Item number
4. Parts description

- 1 Vent Termination Elbow with Rodent Screen
- 2 \*Vent Pipe
- 3 \*Vent Pipe Coupling (if required)
- 4 \*Vent Pipe Elbow (long radius)
- 5 Limit Switch (see Figure 9) (see also Figure 56)
- 6 T&P Valve
- 7 Diptube
- 8 Baffle Assembly
- 9 \*Discharge Pipe
- 10 Gas Control/Thermostat
- 11 Gas Valve Electronic Control Module And Cover
- 12 Drain Valve
- 13 Outer Gas Door

- 14 Manifold Door Assembly (behind outer door) (see Figure 6 & Figure 7) (see also Figure 53 & Figure 54)
- 15 \*Floor Drain
- 16 \*Metal Drain Pan
- 17 Flammable Vapour Sensor (under cover) (see Figure 8) (see also Figure 55)
- 18 \*\*Combo Heating System Return Inlet (Optional)
- 19 Air Inlet Snorkel
- 20 \*\*Combo Heating System Supply Outlet (Optional)
- 21 Blower with Power Cord (see Figure 9) (see also Figure 56)
- 22 Air Switch (inside box) (see Figure 9) (see also Figure 56)
- 23 Junction Box (see Figure 9) (see also Figure 56)
- 24 Junction Box Cover (see Figure 9) (see also Figure 56)
- 25 Air Tubing (see Figure 9) (see also Figure 56)
- 26 Rubber Coupling
- 27 Gear Clamp
- 28 Flue Collector
- 29 Hot-Water Outlet Nipple
- 30 Anode (under cap)
- 31 Cold-Water Inlet Nipple

- 32 Flexible Manifold Tube (see Figure 6 & Figure 7) (see also Figure 53 & Figure 54)
- 33 Viewport (see Figure 6 & Figure 7) (see also Figure 53 & Figure 54)
- 34 Flame Sensor Rod (see Figure 6 & Figure 7) (see also Figure 53 & Figure 54)
- 35 Gas Orifice (see Figure 6 & Figure 7) (see also Figure 53 & Figure 54)
- 36 Sheet Metal Burner (see Figure 6 & Figure 7) (see also Figure 53 & Figure 54)
- 37 Gas Manifold (see Figure 6 & Figure 7) (see also Figure 53 & Figure 54)
- 38 Hot-Surface Igniter (see Figure 6 & Figure 7) (see also Figure 53 & Figure 54)
- 39 Manifold Door Gasket (see Figure 6 & Figure 7) (see also Figure 53 & Figure 54)
- 40 Manifold Door (see Figure 6 & Figure 7) (see also Figure 53 & Figure 54)
- 41 Two Piece Grommet With Clip (see Figure 6 & Figure 7) (see also Figure 53 & Figure 54)

\*\* parts not supplied with the water heater



Natural gas and Propane main burner with igniter assembly for 40k to 50k Btu/hr models

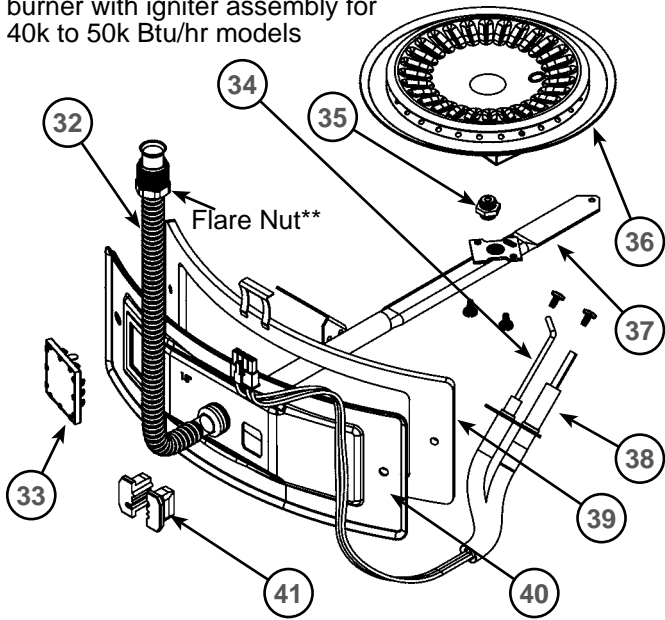


Figure 53

Natural gas and Propane main burner with igniter assembly for 60k to 75k Btu/hr models

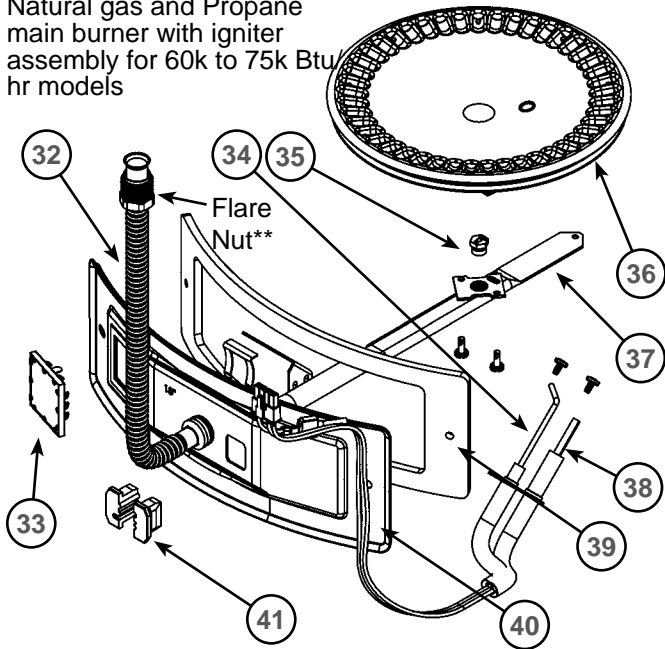


Figure 54

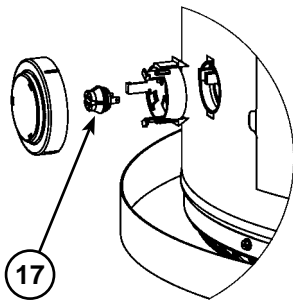


Figure 55

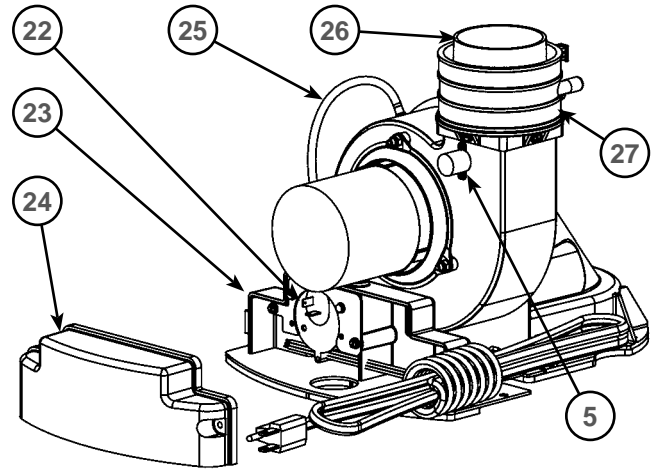


Figure 56

**Notes:** \* Orifices for Natural gas models have Right-hand thread, Propane models have Left-hand thread.  
 \*\* For Natural gas models the Flare Nut has Right-hand thread. For Propane models the Flare Nut has Left-hand thread.