



# Space Saver® Electric Water Heaters

Featuring a variety of models designed for installations in cottages, offices, mobile homes or other applications where space is limited, the Space Saver® line of residential electric water heaters provides optimum reliability, performance and energy efficiency.

## DESIGNED FOR PERFORMANCE

- Exclusive TankSaver® design
- Glass-lined tanks for longer life
- Meets latest energy efficiency standards
- Factory-installed plastic-lined nipples
- Styropour™ base for added energy efficiency
- Thermostatically controlled long life elements
- CFC-free foam insulation
- Personnel protector covers elements and controls

## EASY TO INSTALL AND REPAIR

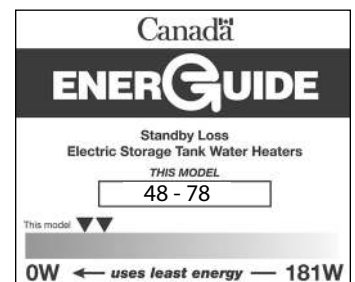
- Conveniently located T&P and drain valve
- Removable anodes
- 2.5 and 4G models have a power cord with a standard 3-prong connector

## WARRANTY\*

- 6 year limited tank warranty
- 1 year limited parts warranty

## EXCLUSIVE DESIGN

- The exclusive TankSaver design aids the glass lining process to ensure optimum coverage, and guards tank openings for watertight connections



\*In residential applications. Reduced warranty in commercial applications.



# Space Saver® Electric Water Heaters

## SPECIFICATIONS

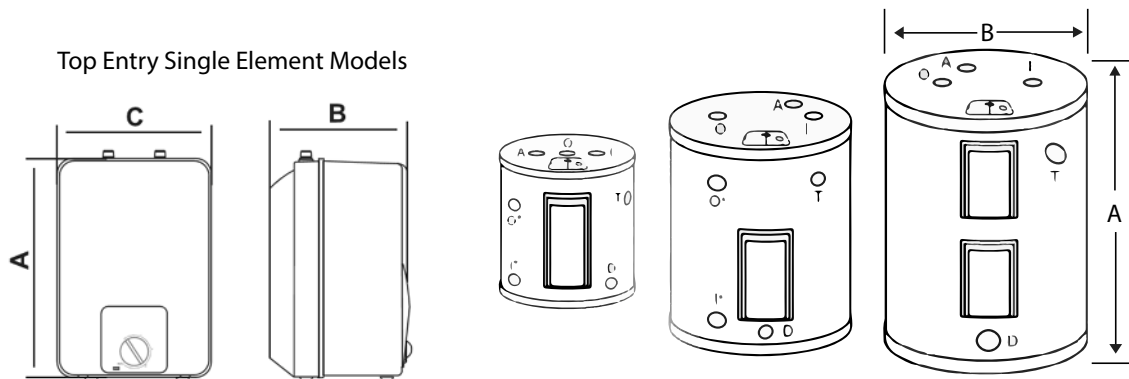
Model	Series	Capacity			Input		Recovery Rate at 90°F Temperature Rise	Standby Loss	Height	Diameter*		Width	Shipping Weight	BC/ON/QC Compliant
		IG	USG	L	WATTS	VOLTS	GPH (LPH)	WATTS	A IN (CM)	B IN (CM)	C IN (CM)	LB (KG)		
<b>TOP ENTRY SINGLE ELEMENT MODELS</b>														
SS025SE15	100	2	2.5	10	1440	120**	7 (26)	N/A	14 ½ (37)	10 ¾ (26)	11 ¾ (30)	17 (8)	√	
SS04SE15	100	3	4	15	1440	120**	7 (26)	N/A	19 ¼ (49)	10 ¾ (26)	11 ¾ (30)	20 (9)	√	
SS06SE15	100	5	6	23	1440	120	7 (26)	N/A	18 (46)	15 ½ (39)	15 ¾ (40)	24 (11)	√	
<b>BOTTOM ENTRY SINGLE ELEMENT MODELS</b>														
SS06SEB30	N/A	5	6	23	3000+	240	14 (53)	N/A	15 ¼ (39)	14 ¼ (36)	N/A	35 (16)	√	
SS12SEB15	N/A	10	12	45	1500	120	7 (26)	N/A	22 ¾ (58)	16 (41)	N/A	55 (25)	√	
SS12SEB30	N/A	10	12	45	3000+	240	14 (53)	N/A	22 ¾ (58)	16 (41)	N/A	55 (25)	√	
SS620SSEB-15K	100	14	17	65	1500	120	7 (26)	51	25 ½ (65)	20 (51)	N/A	65 (30)	√	
SS620SSEB-30	100	14	17	65	3000+	240	14 (53)	51	25 ½ (65)	20 (51)	N/A	65 (30)	√	
SS630SSEBN-15K	100	22	27	102	1500	120	7 (26)	48	30 (76)	22 (56)	N/A	101 (46)	√	
SS630SSEBN-30	100	22	27	102	3000+	240	14 (53)	48	30 (76)	22 (56)	N/A	101 (46)	√	
<b>TOP ENTRY DOUBLE ELEMENT MODELS</b>														
SS640SDE3-15K	100	32	38	144	1500	120	7 (26)	54	50 (127)	20 (51)	N/A	103 (47)	√	
SS640SDE3-30X	100	32	38	144	3000	208	14 (53)	54	50 (127)	20 (51)	N/A	103 (47)	√	
SS640SDE3-30	100	32	38	144	3000+	240	14 (53)	54	50 (127)	20 (51)	N/A	103 (47)	√	
SS650SDE-30	250	40	48	182	3000+	240	14 (53)	53	48 ¾ (124)	22 (56)	N/A	125 (57)	√	
SS680TDE-45	250	63	76	287	4500**	240	20 (76)	78	60 ½ (154)	24 (61)	N/A	170 (77)	√	
<b>LOWBOY TOP ENTRY DOUBLE ELEMENT MODELS</b>														
SS630LDE-45	250	22	27	102	4500**	240	20 (76)	53	31 (79)	22 (56)	N/A	96 (44)	ON/QC only	
SS640LDE-45	250	30	36	137	4500**	240	20 (76)	62	33 ½ (85)	24 (61)	N/A	113 (51)	ON/QC only	
SS650LDE-45	250	40	48	181	4500**	240	20 (76)	64	34 (86)	26 ½ (67)	N/A	164 (74)	-	

\*Depth on model SS025SE15, SS04SE15 and SS06SE15

\*\*Plug-in model

\*Model is dual-rated. At 208V wattage is 2253.

\*\*Model is dual-rated. At 208V wattage is 3380.



\*\*\*Note: 6, 12 and 19 USG models have side connections on left side.