



ENERGY STAR® QUALIFIED

Power Direct Vent Gas Water Heaters

The Power Direct Vent (PDV) is designed with a sealed combustion chamber, ultra-quiet blower and state-of-the-art gas control for highly accurate and reliable temperature control. Perfect for both residential new home construction and replacement water heater applications, the Power Direct Vent will provide the ultimate solution for your hot water needs.

SAVE MONEY ON ENERGY COSTS

- Exceeds energy efficiency standards
- No heated indoor air used for combustion

DESIGNED FOR PERFORMANCE

- All models meet ENERGY STAR® requirements
- Exclusive TankSaver® design to prolong tank life
- Industry leading ultra-quiet blower
- Compact design makes it great for tight space installations

KEEPING YOU SAFE

- Sealed combustion chamber design prevents accidental ignition of flammable vapours

EASY TO INSTALL AND REPAIR

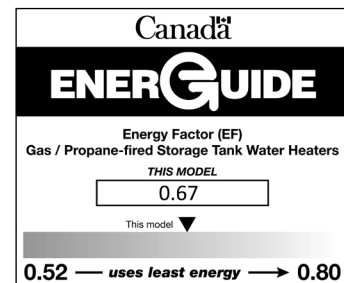
- Low-profile design is ideal for replacement applications
- Conveniently located T&P and drain valve

FLEXIBLE VENTING CONFIGURATIONS

- Can be vented with ULC s636 PVC or CPVC or polypropylene up to 50 equivalent feet with 2" pipe, horizontally through the wall or vertically through the roof, except for 65,000 BTU high input model (see installation manual for full details)
- Can be installed using Concentric Vent Kit (see reverse or installation manual for full details)
- Auto-reset temperature switch monitors vent temperature

LIMITED TANK AND PARTS WARRANTY

- Consult written warranty on the back of this sheet, with documentation included with water heater or contact GSW for complete warranty information.





ENERGY STAR® QUALIFIED

Power Direct Vent Gas Water Heaters

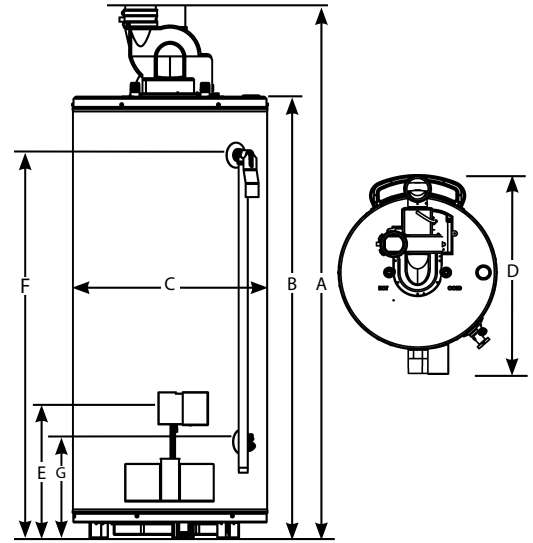
PERFORMANCE

Tank Warranty** Years	Model	Capacity	Maximum Certified Altitude	Input	Recovery Rate at 90°F Temperature Rise	First Hour Rating	Energy Factor	BC Compliant
		USG (L)	FT (M)	BTU/h	GPH (LPH)	USG (L)		
NATURAL GAS								
6	G4040SN-PDV-ES2	40 (151)	7,700 (2,347)	40,000	43 (163)	72 (273)	0.67	✓
6	G5040SN-PDV-ES2	50 (189)	7,700 (2,347)	40,000	44 (167)	87 (329)	0.67	✓
6	6G5065SN-PDV-ES2*	50 (189)	7,700 (2,347)	65,000	72 (273)	114 (432)	0.67	✓

For propane models sub N for P

* Model has side water connections, only available for NG

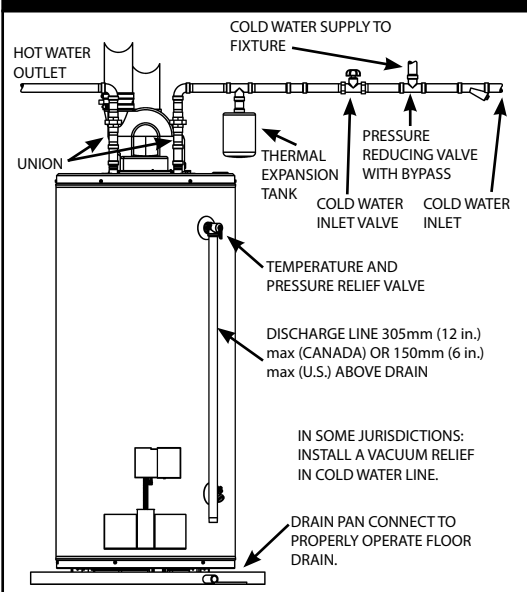
**In Residential applications. Reduced warranty in Commercial applications. Parts warranted for 1 year.



DIMENSIONS & SHIPPING WEIGHT

Model	Installation Height	Height to Top of Tank	Tank Diameter	Overall Depth	Height to Gas Inlet	Height to T&P	Height to Drain Valve	Height to Side Water Connections (not shown on drawing)		Vent Diameter	Shipping Weight
	A IN (CM)	B IN (CM)	C IN (CM)	D IN (CM)	E IN (CM)	F IN (CM)	G IN (CM)	LOWER IN (CM)	UPPER IN (CM)	IN	LBS (KG)
NATURAL GAS											
G4040SN-PDV-ES2	59 ½ (151)	51 (130)	22 ½ (57)	25 ¾ (64.5)	15 (38)	43 ½ (111)	10 ¾ (27)	N/A	N/A	2-3	162 (73)
G5040SN-PDV-ES2	68 ½ (174)	60 (152)	22 ½ (57)	25 ¾ (64.5)	15 (38)	52 ½ (134)	10 ¾ (27)	N/A	N/A	2-3	182 (82)
6G5065SN-PDV-ES2	69 ¾ (177)	61 ¼ (156)	22 ½ (57)	25 ¾ (64.5)	15 (38)	53 (135)	10 ¾ (27)	16 (41)	53 (135)	3	209 (95)

PREFERRED INSTALLATION



VENT PIPE LENGTHS

Model	Vent Pipe Diameter IN	Minimum Number of Elbows Required*	Minimum Vent Length with One Elbow FT (M)		Maximum Equivalent Vent Length FT (M)	
			Concentric	2 Pipe	Concentric	2 Pipe
G4040SN-PDV-ES2, G4040SP-PDV-ES2	2	1	7 (2.1)	7 (2.1)	50 (15.2)	50 (15.2)
	3	1	7 (2.1)	7 (2.1)	100 (30.5)	100 (30.5)
G5040SN-PDV-ES2, G5040SP-PDV-ES2	2	1	7 (2.1)	7 (2.1)	50 (15.2)	50 (15.2)
	3	1	7 (2.1)	7 (2.1)	100 (30.5)	100 (30.5)
6G5065SN-PDV-ES2	3	1	7 (2.1)	7 (2.1)	30 (9.1)	50 (15.2)

* Refer to installation manual for further details.

CONCENTRIC VENT KITS

Description	Part Number
2" Concentric Vent Kit (POL KGAVT0701)	6911088
3" Concentric Vent Kit (POL KGAVT0801)	6911089